

# EU Declaration of Conformity



Original









SCHMERSAL  
Industrial Switchgear (Shanghai) Co., Ltd.  
Cao Ying Road 3336  
201712 Shanghai / Qingpu  
P.R. CHINA  
Internet: www.schmersal.com.cn

**Declaration:**

We hereby certify that the hereafter described components both in their basic design and construction conform to the applicable European Directives.

**Name of the component:**

**Marking:**

EX-I-RS655<sup>1)</sup>  II 2G Ex ia IIC T6 Gb  
 II 2D Ex ia IIIC T85°C Db  
 II 2D Ex tb IIIC T85°C Db  
EX-RS655<sup>2)</sup>  II 2G Ex db eb IIC T6 Gb  
 II 2D Ex tb IIIC T85°C Db  
 II 2G Ex ia IIC T6 Gb  
 II 2D Ex ia IIIC T85°C Db  
EX-RS655-...-DS-2D<sup>3)</sup>, EX-RS655-...-DN-2D<sup>3)</sup>  II 2D Ex tb IIIC T85°C Db

**Type:**

See ordering code

**Description of the component:**

Pull-wire emergency stop switch for safety function or pull-wire emergency stop switch  
<sup>3)</sup> optionally with Dupline<sup>®</sup> or DuplineSafe<sup>®</sup> input module

**Relevant Directives:**

|                                       |            |
|---------------------------------------|------------|
| Machinery Directive                   | 2006/42/EC |
| Explosion Protection Directive (ATEX) | 2014/34/EU |
| <sup>3)</sup> EMC Directive           | 2014/30/EU |
| RoHS Directive                        | 2011/65/EU |

**Applied standards:**

EN 60947-5-1:2017 + AC:2020,  
EN 60947-5-5:1997 + A1:2005 + A11:2013 + A2:2017,  
EN ISO 13850:2015, EN ISO 13849-1:2015  
<sup>1)</sup> EN IEC 60079-0:2018, EN 60079-11:2012,  
EN 60079-31:2014  
<sup>2)</sup> EN IEC 60079-0:2018, EN 60079-1:2014,  
EN IEC 60079-7:2015 + A1:2018, EN 60079-11:2012,  
EN 60079-31:2014  
<sup>3)</sup> EN IEC 60079-0:2018, EN 60079-31:2014

**Notified body, which approved the full quality assurance system, referred to Appendix IV, 2014/34/EU and for the ATEX certification:**

TÜV Rheinland Industrie Service GmbH  
Am Grauen Stein, 51105 Köln  
ID n°: 0035

**EU-Type Examination Certificate:**

TÜV 19 ATEX 8428

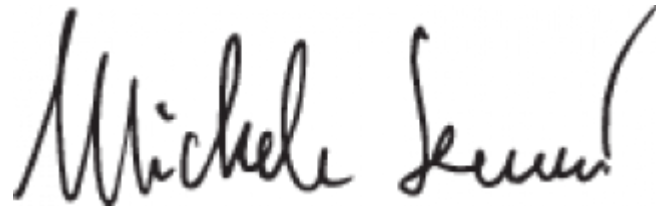
**This certificate refers only to the certification of the products in accordance with the Explosion Protection Directive 2014/34/EU (ATEX). Product conformity in accordance with the Machinery Directive 2006/42/EC is declared by the manufacturer under its own responsibility.**

**Person authorised for the compilation of the technical documentation:**

Oliver Wacker  
Möddinghofe 30  
42279 Wuppertal

**Place and date of issue:**

Shanghai, June 28, 2023

A handwritten signature in black ink, reading "Michele Seassaro". The signature is written in a cursive style with a large, sweeping flourish at the end.

Authorised signature  
**Michele Seassaro**  
Managing Director