

EU Declaration of Conformity



Original









SCHMERSAL
Industrial Switchgear (Shanghai) Co., Ltd.
Cao Ying Road 3336
201712 Shanghai / Qingpu
P.R. CHINA
Internet: www.schmersal.com.cn

Declaration:

We hereby certify that the hereafter described components both in their basic design and construction conform to the applicable European Directives.

Name of the component:

Marking:

EX-I-RS655¹⁾  II 2G Ex ia IIC T6 Gb
 II 2D Ex ia IIIC T85°C Db
 II 2D Ex tb IIIC T85°C Db
EX-RS655²⁾  II 2G Ex db eb IIC T6 Gb
 II 2D Ex tb IIIC T85°C Db
 II 2G Ex ia IIC T6 Gb
 II 2D Ex ia IIIC T85°C Db
EX-RS655-...-DS-2D³⁾, EX-RS655-...-DN-2D³⁾  II 2D Ex tb IIIC T85°C Db

Type:

See ordering code

Description of the component:

Pull-wire emergency stop switch for safety function or pull-wire emergency stop switch
³⁾ optionally with Dupline[®] or DuplineSafe[®] input module

Relevant Directives:

Machinery Directive	2006/42/EC
Explosion Protection Directive (ATEX)	2014/34/EU
³⁾ EMC Directive	2014/30/EU
RoHS Directive	2011/65/EU

Applied standards:

EN 60947-5-1:2017 + AC:2020,
EN 60947-5-5:1997 + A1:2005 + A11:2013 + A2:2017,
EN ISO 13850:2015, EN ISO 13849-1:2015
¹⁾ EN IEC 60079-0:2018, EN 60079-11:2012,
EN 60079-31:2014
²⁾ EN IEC 60079-0:2018, EN 60079-1:2014,
EN IEC 60079-7:2015 + A1:2018, EN 60079-11:2012,
EN 60079-31:2014
³⁾ EN IEC 60079-0:2018, EN 60079-31:2014

Notified body, which approved the full quality assurance system, referred to Appendix IV, 2014/34/EU and for the ATEX certification:

TÜV Rheinland Industrie Service GmbH
Am Grauen Stein, 51105 Köln
ID n°: 0035

EU-Type Examination Certificate:

TÜV 19 ATEX 8428

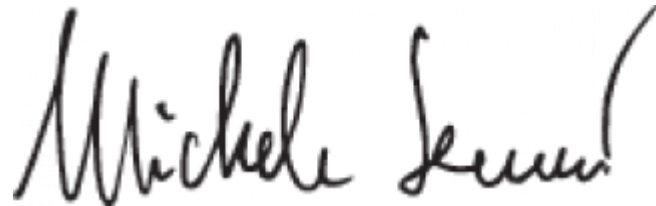
This certificate refers only to the certification of the products in accordance with the Explosion Protection Directive 2014/34/EU (ATEX). Product conformity in accordance with the Machinery Directive 2006/42/EC is declared by the manufacturer under its own responsibility.

Person authorised for the compilation of the technical documentation:

Oliver Wacker
Möddinghofe 30
42279 Wuppertal

Place and date of issue:

Shanghai, June 28, 2023

A handwritten signature in black ink, reading "Michele Seassaro". The signature is written in a cursive style with a large, sweeping flourish at the end.

Authorised signature
Michele Seassaro
Managing Director