

# ISTRUZIONI PER IL FUNZIONAMENTO E IL MONTAGGIO

## Safety switch with separate actuator AZ 16 ZVK-M16

---

### Table of Contents

- 1 About this document
  - 1.1 Function
  - 1.2 Target group of the operating instructions: authorised qualified personnel
  - 1.3 Explanation of the symbols used
  - 1.4 Appropriate use
  - 1.5 General safety instructions
- 2 Product description
  - 2.1 Ordering code
  - 2.2 Special versions
  - 2.3 Purpose
  - 2.4 Warning about misuse
  - 2.5 Exclusion of liability
  - 2.6 Technical Data
- 3 Mounting
  - 3.1 General mounting instructions
  - 3.2 Mounting of the actuator
  - 3.3 Dimensions
- 4 Electrical connection
  - 4.1 General information for electrical connection
  - 4.2 Contact Options
- 5 Set-up and maintenance
- 6 Disassembly and disposal
  - 6.1 Disassembly
  - 6.2 Disposal

## 1 About this document

### 1.1 Function

This document provides all the information you need for the mounting, set-up and commissioning to ensure the safe operation and disassembly of the switchgear. The operating instructions enclosed with the device must always be kept in a legible condition and accessible.

### 1.2 Target group of the operating instructions: authorised qualified personnel

All operations described in the operating instructions manual must be carried out by trained specialist personnel, authorised by the plant operator only.

Please make sure that you have read and understood these operating instructions and that you know all applicable legislations regarding occupational safety and accident prevention prior to installation and putting the component into operation.

The machine builder must carefully select the harmonised standards to be complied with as well as other technical specifications for the selection, mounting and integration of the components.

The information contained in this operating instructions manual is provided without liability and is subject to technical modifications.

## 1.3 Explanation of the symbols used



**Information, hint, note:** This symbol is used for identifying useful additional information.



**Caution:** Failure to comply with this warning notice could lead to failures or malfunctions.

**Warning:** Failure to comply with this warning notice could lead to physical injury and/or damage to the machine.

## 1.4 Appropriate use

The Schmersal range of products is not intended for private consumers.

The products described in these operating instructions are developed to execute safety-related functions as part of an entire plant or machine. It is the responsibility of the manufacturer of a machine or plant to ensure the correct functionality of the entire machine or plant.

The safety switchgear must be exclusively used in accordance with the versions listed below or for the applications authorised by the manufacturer. Detailed information regarding the range of applications can be found in the chapter "Product description".

## 1.5 General safety instructions

The user must observe the safety instructions in this operating instructions manual, the country specific installation standards as well as all prevailing safety regulations and accident prevention rules.



Further technical information can be found in the Schmersal catalogues or in the online catalogue on the Internet:

[products.schmersal.com](http://products.schmersal.com).

# 2 Product description

## 2.1 Ordering code

Product type description:  
AZ 16-(1)ZV(2)K-(3)-(4)-(5)

(1)

|                |                            |
|----------------|----------------------------|
| <b>without</b> | 1 NO contacts/1 NC contact |
| <b>02</b>      | 2 NC contact               |
| <b>03</b>      | 3 NC contact               |
| <b>12</b>      | 1 NO contact/2 NC contacts |

(2)

|                |                     |
|----------------|---------------------|
| <b>without</b> | Ejection force      |
| <b>R</b>       | Latching force 30 N |

(3)

|            |  |
|------------|--|
| <b>G24</b> | with LED (only available for version with one NO and one NC contact) |
|------------|--|

(4)

|            |                               |
|------------|-------------------------------|
| <b>M16</b> | cable entry M16               |
| <b>M20</b> | Cable entry M20               |
| <b>ST</b>  | Connector M12, 4 pole, bottom |
| <b>STL</b> | Connector M12, 4 pole, left   |
| <b>STR</b> | Connector M12, 4 pole, right  |

(5)

|             |                      |
|-------------|----------------------|
| <b>2254</b> | Latching force 5 N   |
| <b>1762</b> | Front mounting       |
| <b>1637</b> | Gold-plated contacts |

## 2.2 Special versions

For special versions, which are not listed in the ordering code, these specifications apply accordingly, provided that they correspond to the standard version.

## 2.3 Purpose

The safety switches with separate actuator are suitable for sliding, hinged and removable safety guards, which need to be closed in order to ensure the necessary operational safety.

The safety switches are used for applications, in which the hazardous situation is terminated without delay when the safety guard is opened.

When the safety guard is opened, the NC contacts are positively opened and the NO contacts are closed.



The safety switchgears are classified according to EN ISO 14119 as type 2 interlocking devices.



The user must evaluate and design the safety chain in accordance with the relevant standards and the required safety level.



The entire concept of the control system, in which the safety component is integrated, must be validated to the relevant standards.

## 2.4 Warning about misuse



In case of improper use or manipulation of the safety switchgear, personal hazards or damages to machinery or plant components cannot be excluded. There are no residual risks, provided that the safety instructions as well as the instructions regarding mounting, commissioning, operation and maintenance are observed.

## 2.5 Exclusion of liability

We shall accept no liability for damages and malfunctions resulting from defective mounting or failure to comply with the operating instructions manual. The manufacturer shall accept no liability for damages resulting from the use of unauthorised spare parts or accessories.

For safety reasons, invasive work on the device as well as arbitrary repairs, conversions and modifications to the device are strictly forbidden, the manufacturer shall accept no liability for damages resulting from such invasive work, arbitrary repairs, conversions and/or modifications to the device.

## 2.6 Technical Data

### Omologazioni - Prescrizioni

|                |                             |
|----------------|-----------------------------|
| Certificazioni | IFA<br>cULus<br>CCC<br>UKCA |
|----------------|-----------------------------|

### Dati generali

|  |  |
|--|--|
| Prescrizioni                             | EN ISO 13849-1<br>EN ISO 14119<br>EN IEC 60947-5-1                     |
| Livello di codifica secondo EN ISO 14119 | ridotta  |
| principio d'azione                       | elettromeccanico   |
| Materiale della custodia                 | Plastica, termoplastica rinforzata con fibra di vetro, autoestinguente |

|            |       |
|------------|-------|
| Peso lordo | 120 g |
|------------|-------|

## Dati generali - Caratteristiche

|                                   |    |
|-----------------------------------|----|
| Forza di ritorno                  | Sì |
| Numero direzioni di azionamento   | 3  |
| quantità di contatti ausiliari    | 1  |
| quantità di contatti di sicurezza | 1  |
| Numero di connessione cavo        | 3  |

## Osservazioni per la sicurezza

|   |                                      |
|---|--------------------------------------|
| Norma, Prescrizioni                           | EN ISO 13849-1                       |
| Performance Level, fino a                     | c                                    |
| Categoria secondo EN ISO 13849                | 1                                    |
| B <sub>10D</sub> Normally-closed contact (NC) | 2.000.000 manovre                    |
| Note  | Electrical life on request.          |
| B <sub>10D</sub> Normally-open contact (NO)   | 1.000.000 manovre                    |
| Note  | at 10% I <sub>e</sub> and ohmic load |
| Durata di utilizzo                            | 20 Anno(i)                           |

## Osservazioni per la sicurezza - L'esclusione dei guasti

|                                |  |
|--------------------------------|--|
| Nota bene:                     | installabile se è ammessa l'esclusione di guasti per danni pericolosi alla meccanica a 1 canale e se è garantita un'adeguata protezione contro le manipolazioni. |
| Performance Level, fino a      | d  |
| Categoria secondo EN ISO 13849 | 3  |
| Note                           | for 2-channel use and with suitable logic unit.  |
| Durata di utilizzo             | 20 Anno(i)   |

## Dati meccanici

|  |                   |
|--|-------------------|
| Durata meccanica, minimo                     | 1.000.000 manovre |
| corsa d'apertura obbligata                   | 8 mm              |
| Positive break force per NC contact, minimum | 10 N              |
| Forza di apertura obbligata, minima          | 10 N              |
| Velocità di azionamento, massima             | 2 m/s             |
| Montaggio                                    | Viti              |
| Versione delle viti di fissaggio             | 2x M6             |

## Dati meccanici - Tecnologia di collegamento

|  |  |
|--|--|
| Cablaggio                              | 3 x M16 x 1,5  |
| Connettore di collegamento             | Morsetti a vite  |
| Sezione di collegamento, minima        | 0,25 mm <sup>2</sup>   |
| Sezione di collegamento, massimo       | 2,5 mm <sup>2</sup>  |
| Osservazioni (Sezione di collegamento) | Tutte le indicazioni sulla sezione del cavo includono le bussole del conduttore. |
| Allowed type of cable                  | solid single-wire<br>solid multi-wire<br>flexible                                |

## Dati meccanici - Dimensioni

|                       |       |
|-----------------------|-------|
| lunghezza del sensore | 30 mm |
| larghezza del sensore | 52 mm |
| altezza del sensore   | 90 mm |

## Condizioni ambientali

|   |                |
|---|----------------|
| Grado di protezione                                     | IP67           |
| Ambient temperature                                     | -30 ... +80 °C |
| Storage and transport temperature                       | -40 ... +85 °C |
| Altitudine di installazione ammissibile s.l.m., massima | 2.000 m        |

## Condizioni ambientali - Valori di isolamento

|  |       |
|--|-------|
| Tensione d'isolamento nominale               | 500 V |
| Resistenza alla tensione impulsiva nominale  | 6 kV  |
| Categoria di sovratensione                   | III   |
| Grado di inquinamento secondo IEC/EN 60664-1 | 3     |

## Dati elettrici

|  |  |
|--|--|
| Corrente termica continua  | 10 A   |
| Corrente nominale di cortocircuito condizionata secondo EN 60947-5-1 | 1.000 A  |
| Elemento di commutazione   | 1 contatto di chiusura (NO) / 1 contatti d'apertura (NC) |
| principio di comando   | slow action, positive break NC contact                   |
| Frequenza di commutazione  | 4.000 /h   |
| Materiale dei contatti, elettrici                                    | Argento  |

## Dati elettrici - Contatti di sicurezza

|                                      |         |
|--------------------------------------|---------|
| Tensione, Categoria d'utilizzo AC-15 | 230 VAC |
| Corrente, categoria d'utilizzo AC-15 | 4 A     |
| Tensione, Categoria d'utilizzo DC-13 | 24 VDC  |
| Corrente, categoria d'utilizzo DC-13 | 4 A     |

## Dati elettrici - Contatti ausiliari

|                                      |         |
|--------------------------------------|---------|
| Tensione, Categoria d'utilizzo AC-15 | 230 VAC |
| Corrente, categoria d'utilizzo AC-15 | 4 A     |
| Tensione, Categoria d'utilizzo DC-13 | 24 VDC  |
| Corrente, categoria d'utilizzo DC-13 | 4 A     |

### Note about the safety classification

Basically suitable up to Cat. 1 / PL c.

With 2-channel usage with fault exclusion mechanism (if a fault exclusion to the 1-channel mechanics is authorised) and suitable logic applicable up to Cat. 3 / PL d

$$MTTF_D = \frac{B_{10D}}{0,1 \times n_{op}} \quad n_{op} = \frac{d_{op} \times h_{op} \times 3600 \text{ s/h}}{t_{cycle}}$$

(Determined values can vary depending on the application-specific parameters  $h_{op}$ ,  $d_{op}$  and  $t_{cycle}$  as well as the load.)

If multiple safety components are wired in series, the Performance Level to EN ISO 13849-1 will be reduced due to the restricted error detection under certain circumstances.

## 3 Mounting

### 3.1 General mounting instructions



Please observe the relevant requirements of the standards ISO 12100, ISO 14119 and ISO 14120.

The mounting dimensions are indicated on the rear of the component. The enclosure must not be used as an end stop.

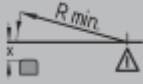
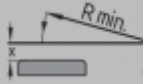
Any mounting position. The mounting position however must be chosen so that the ingress of dirt and soiling in the used opening is avoided. The unused openings must be sealed by means of slot sealing plugs (AZ 15/16 - 1476-1 available as accessory) after fitting.

### 3.2 Mounting of the actuator

See operating instructions Actuator.

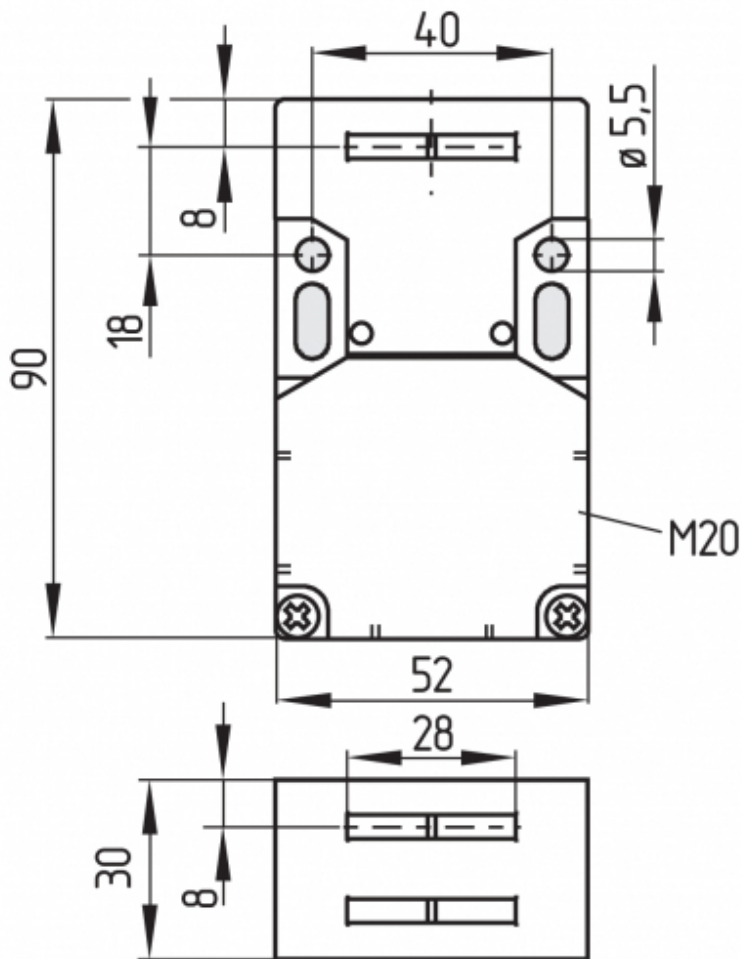


The actuator must be permanently fitted to the safety guards and protected against displacement by suitable measures (tamperproof screws, gluing, drilling of the screw heads).

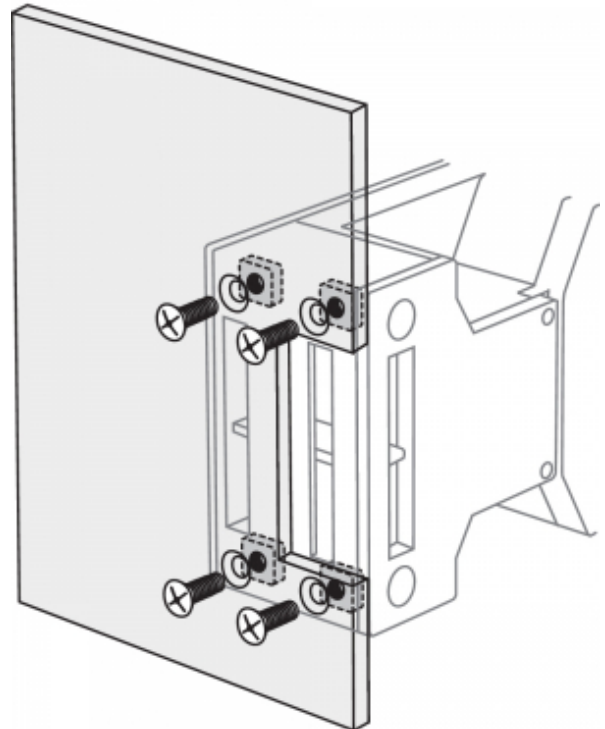
| Actuating radii [mm] |  |    |  |    |
|----------------------|---|----|---|----|
|                      | over the small edge of the actuator   |    | over the wide edge of the actuator  |    |
|                      | $R_{min}$   | d  | $R_{min}$   | d  |
| AZ 15/16-B2          | -   | -  | 45  | 11 |
| AZ 15/16-B2-1747     | -   | -  | 45  | 11 |
| AZ 15/16-B3          | 32  | 11 | -   | -  |
| AZ 15/16-B3-1747     | 32  | 11 | -   | -  |
| AZ 15/16-B6          | 25  | 11 | 38  | 11 |

### 3.3 Dimensions

All measurements in mm.



Front mounting





## 4 Electrical connection

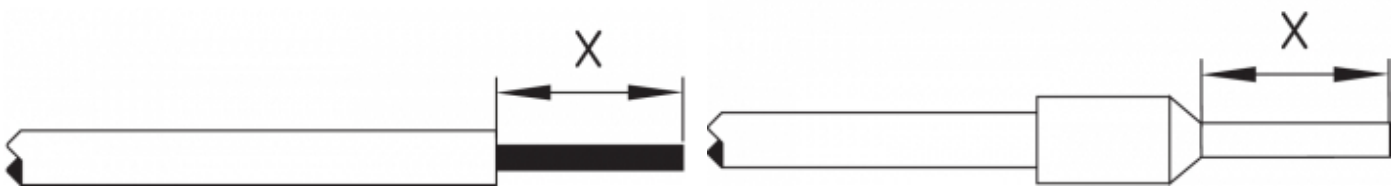
### 4.1 General information for electrical connection



The electrical connection may only be carried out by authorised personnel in a de-energised condition.

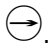
The contact labelling can be found in the wiring compartment of the switch. Appropriate cable glands with a suitable degree of protection are to be used.

Settle length  $x$  of the conductor: 6 mm

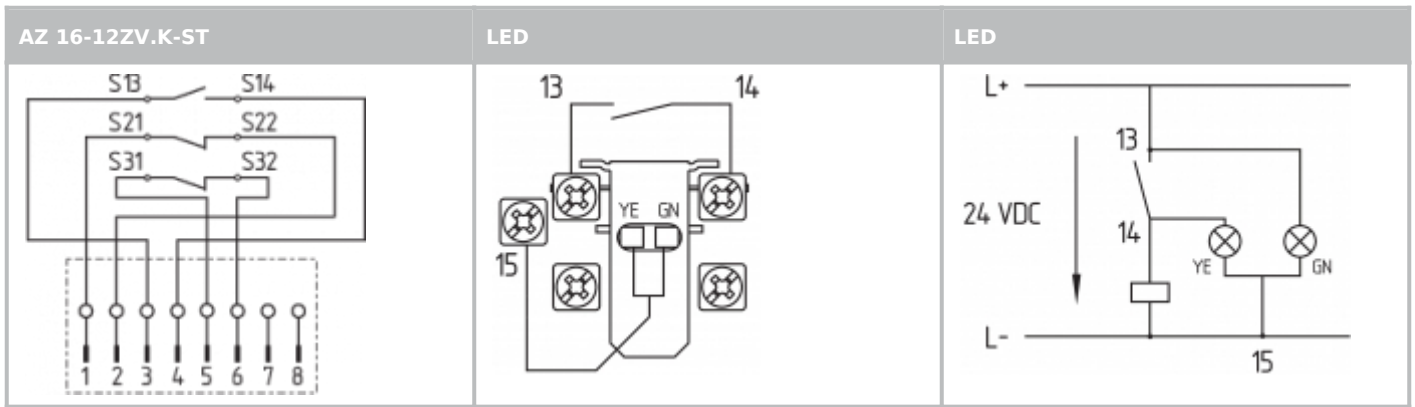


After wiring, dust and soiling must be removed from the wiring compartment. The safety switch is double insulated. The use of a protective ground connector therefore is not authorised.

### 4.2 Contact Options

Contacts are shown with safety guard closed. All NC contacts have positive break .

| AZ 16ZV.K    | AZ 16-02ZV.K | AZ 16-12ZV.K    |
|--------------|--------------|-----------------|
|              |              |                 |
| AZ 16-03ZV.K | AZ 16ZV.K-ST | AZ 16-02ZV.K-ST |
|              |              |                 |



| Key |                              |
|-----|------------------------------|
|     | Automatic opener, NC contact |
|     | Normally-open contact        |
|     | Normally-closed contact      |

## 5 Set-up and maintenance

The safety function of the safety components must be tested. In the case of correct installation and adequate use, the safety switchgear features maintenance-free functionality. A regular visual inspection and functional test, including the following steps, is recommended:

1. Check for free movement of the actuating element
2. Check cable entry and connections
3. Check the switch enclosure for damage
4. Remove particles of dust and soiling



Adequate measures must be taken to ensure protection against tampering either to prevent tampering of the safety guard, for instance by means of replacement actuators.



Damaged or defective components must be replaced.

## 6 Disassembly and disposal

### 6.1 Disassembly

The safety switchgear must be disassembled in a de-energised condition only.

### 6.2 Disposal



The safety switchgear must be disposed of in an appropriate manner in accordance with the national prescriptions and legislations.