

INSTRUKTIONER FÖR ANVÄNDNING OCH INSTALLATION

Safety switch with separate actuator AZ 17-11ZK

Table of Contents

- 1 About this document
 - 1.1 Function
 - 1.2 Target group of the operating instructions: authorised qualified personnel
 - 1.3 Explanation of the symbols used
 - 1.4 Appropriate use
 - 1.5 General safety instructions
- 2 Product description
 - 2.1 Ordering code
 - 2.2 Special versions
 - 2.3 Purpose
 - 2.4 Warning about misuse
 - 2.5 Exclusion of liability
 - 2.6 Technical Data
- 3 Mounting
 - 3.1 General mounting instructions
 - 3.2 Dimensions
 - 3.3 Mounting of the actuator
- 4 Electrical connection
 - 4.1 General information for electrical connection
 - 4.2 Contact Options
- 5 Set-up and maintenance
- 6 Disassembly and disposal
 - 6.1 Disassembly
 - 6.2 Disposal

1 About this document

1.1 Function

This document provides all the information you need for the mounting, set-up and commissioning to ensure the safe operation and disassembly of the switchgear. The operating instructions enclosed with the device must always be kept in a legible condition and accessible.

1.2 Target group of the operating instructions: authorised qualified personnel

All operations described in the operating instructions manual must be carried out by trained specialist personnel, authorised by the plant operator only.

Please make sure that you have read and understood these operating instructions and that you know all applicable legislations regarding occupational safety and accident prevention prior to installation and putting the component into operation.

The machine builder must carefully select the harmonised standards to be complied with as well as other technical specifications for the selection, mounting and integration of the components.

The information contained in this operating instructions manual is provided without liability and is subject to technical modifications.

1.3 Explanation of the symbols used



Information, hint, note: This symbol is used for identifying useful additional information.



Caution: Failure to comply with this warning notice could lead to failures or malfunctions.

Warning: Failure to comply with this warning notice could lead to physical injury and/or damage to the machine.

1.4 Appropriate use

The Schmersal range of products is not intended for private consumers.

The products described in these operating instructions are developed to execute safety-related functions as part of an entire plant or machine. It is the responsibility of the manufacturer of a machine or plant to ensure the correct functionality of the entire machine or plant.

The safety switchgear must be exclusively used in accordance with the versions listed below or for the applications authorised by the manufacturer. Detailed information regarding the range of applications can be found in the chapter "Product description".

1.5 General safety instructions

The user must observe the safety instructions in this operating instructions manual, the country specific installation standards as well as all prevailing safety regulations and accident prevention rules.



Further technical information can be found in the Schmersal catalogues or in the online catalogue on the Internet:

products.schmersal.com.

2 Product description

2.1 Ordering code

Product type description:
AZ 17-(1)Z(2)K-(3)-(4)-(5)

(1)

| | |
|-----------|----------------------------|
| 11 | 1 NO contacts/1 NC contact |
| 02 | 2 NC contact |

(2)

| | |
|----------------|---------------------|
| without | Latching force 5 N |
| R | Latching force 30 N |

(3)

| | |
|----------------|-----------------------|
| without | M16 cable gland |
| 2243 | Front cable entry |
| 2243-1 | Rear cable entry |
| ST | M12 connector, 4 pole |

(4)

| | |
|-------------|----------------------|
| 1637 | Gold-plated contacts |
|-------------|----------------------|

(5)

| | |
|-----------|------------------|
| 5M | Cable length 5 m |
| 6M | Cable length 6 m |

2.2 Special versions

For special versions, which are not listed in the ordering code, these specifications apply accordingly, provided that they correspond to the standard version.

2.3 Purpose

The safety switches with separate actuator are suitable for sliding, hinged and removable safety guards, which need to be closed in order to ensure the necessary operational safety.

The safety switches are used for applications, in which the hazardous situation is terminated without delay when the safety guard is opened.

When the safety guard is opened, the NC contacts are positively opened and the NO contacts are closed.



The safety switchgears are classified according to EN ISO 14119 as type 2 interlocking devices.



The user must evaluate and design the safety chain in accordance with the relevant standards and the required safety level.



The entire concept of the control system, in which the safety component is integrated, must be validated to the relevant standards.

2.4 Warning about misuse



In case of improper use or manipulation of the safety switchgear, personal hazards or damages to machinery or plant components cannot be excluded. There are no residual risks, provided that the safety instructions as well as the instructions regarding mounting, commissioning, operation and maintenance are observed.

2.5 Exclusion of liability

We shall accept no liability for damages and malfunctions resulting from defective mounting or failure to comply with the operating instructions manual. The manufacturer shall accept no liability for damages resulting from the use of unauthorised spare parts or accessories.

For safety reasons, invasive work on the device as well as arbitrary repairs, conversions and modifications to the device are strictly forbidden, the manufacturer shall accept no liability for damages resulting from such invasive work, arbitrary repairs, conversions and/or modifications to the device.

2.6 Technical Data

Certifieringar - Föreskrifter

| | |
|------------|-----------------------------|
| Certifikat | IFA cULus CCC UKCA |
|------------|-----------------------------|

Globala egenskaper

| | |
|----------------------------------|---|
| Föreskrifter | EN ISO 13849-1 EN ISO 14119 EN IEC 60947-5-1 |
| Kodningsnivå enligt EN ISO 14119 | låg |
| Aktiv princip | elektromekanisk |
| Kapslingens material | Plast, glasfiberförstärkt termoplast, självläckande |
| Bruttovikt | 85 g |

Allmänna data - Egenskaper

| | |
|-----------------------------|---|
| Antal aktiveringsriktningar | 2 |
|-----------------------------|---|

| | |
|--------------------------|---|
| Antal extra kontakter | 1 |
| Antal säkerhetskontakter | 1 |
| Antal kabelgenomföringar | 1 |

Klassificering

| | |
|---|--------------------------------------|
| Standarder, föreskrifter | EN ISO 13849-1 |
| Performance Level, up to | c |
| Kategori enligt EN ISO 13849 | 1 |
| B _{10D} Normally-closed contact (NC) | 2 000 000 kopplingar |
| Note | Electrical life on request. |
| B _{10D} Normally-open contact (NO) | 1 000 000 kopplingar |
| Note | at 10% I _e and ohmic load |
| Mission time | 20 År |

Säkerhetsklassificering - Feluteslutning

| | |
|--------------------------|---|
| Please note: | Can be used when fault exclusion for dangerous damage to the 1-channel mechanism is permissible and sufficient protection against manipulation is guaranteed. |
| Performance Level, up to | d |
| Category | 3 |
| Note | for 2-channel use and with suitable logic unit. |
| Mission time | 20 År |

Mekaniska data

| | |
|--|----------------------|
| Mekanisk livslängd, minimum | 1 000 000 kopplingar |
| Hållkraft | 5 N |
| tvångsöppningssträcka | 11 mm |
| Positive break force per NC contact, minimum | 17 N |
| Aktiveringshastighet, maximum | 2 m/s |
| Montering | Skrubar |
| Type of the fixing screws | 2x M5 |
| Tightening torque of the fastening screws for the housing cover, minimum | 0,7 Nm |
| Tightening torque of the fastening screws for the housing cover, maximum | 1 Nm |
| Note | Torx T10 |

Mechanical data - Connection technique

| | |
|--------------------------|--------------------------|
| Kabelstyrning | M 16 x 1,5 |
| Anslutning, kontakt | IDC-metod för avslutning |
| Anslutningsarea, minimum | 0,75 mm ² |
| Anslutningsarea, maximum | 1 mm ² |
| Allowed type of cable | flexible |

Mekaniska data - mått

| | |
|---------------|-------|
| Sensors längd | 30 mm |
| Sensors bredd | 30 mm |
| Sensors höjd | 60 mm |

Omgivningsförhållanden

| | |
|--|----------------|
| Skyddsklass | IP67 |
| Ambient temperature | -30 ... +80 °C |
| Storage and transport temperature | -30 ... +85 °C |
| Permissible installation altitude above sea level, maximum | 2 000 m |

Ambient conditions - Insulation values

| | |
|---|---------|
| Isolationsmärkspänning | 250 VAC |
| Märkstötspänning | 4 kV |
| Overvoltage category | III |
| Nersmutsningsgrad enligt IEC/EN 60664-1 | 3 |

Elektriska data

| | |
|---|--|
| Termisk testström | 10 A |
| Betingad märkkortslutningsström enligt EN 60947-5-1 | 1 000 A |
| Kopplingsdon | 1 slutande kontakt (sl), 1 brytande kontakter (br) |
| Kopplingsprincip | slow action, positive break NC contact |
| kopplingsfrekvens | 2 000 /h |
| Kontakternas material, elektriskt | Silver |

Elektriska data - Säkerhetskontakter

| | |
|-------------------------------------|---------|
| Voltage, Utilisation category AC-15 | 230 VAC |
| Current, Utilisation category AC-15 | 4 A |
| Voltage, Utilisation category DC-13 | 24 VDC |

Elektriska data - Extrakontakter

| | |
|-------------------------------------|---------|
| Voltage, Utilisation category AC-15 | 230 VAC |
| Current, Utilisation category AC-15 | 4 A |
| Voltage, Utilisation category DC-13 | 24 VDC |
| Current, Utilisation category DC-13 | 4 A |

Diverse data

| | |
|------------------------------------|---|
| Notera (applikationstillämpningar) | skjutbar skyddsanordning avtagbart skydd förrglingsbrytare för svänfgbara skydd |
|------------------------------------|---|

Note about the safety classification

Basically suitable up to Cat. 1 / PL c.

With 2-channel usage with fault exclusion mechanism (if a fault exclusion to the 1-channel mechanics is authorised) and suitable logic applicable up to Cat. 3 / PL d

$$MTTF_D = \frac{B_{10D}}{0,1 \times n_{op}} \quad n_{op} = \frac{d_{op} \times h_{op} \times 3600 \text{ s/h}}{t_{cycle}}$$

(Determined values can vary depending on the application-specific parameters h_{op} , d_{op} and t_{cycle} as well as the load.)

If multiple safety components are wired in series, the Performance Level to EN ISO 13849-1 will be reduced due to the restricted error detection under certain circumstances.

3 Mounting

3.1 General mounting instructions

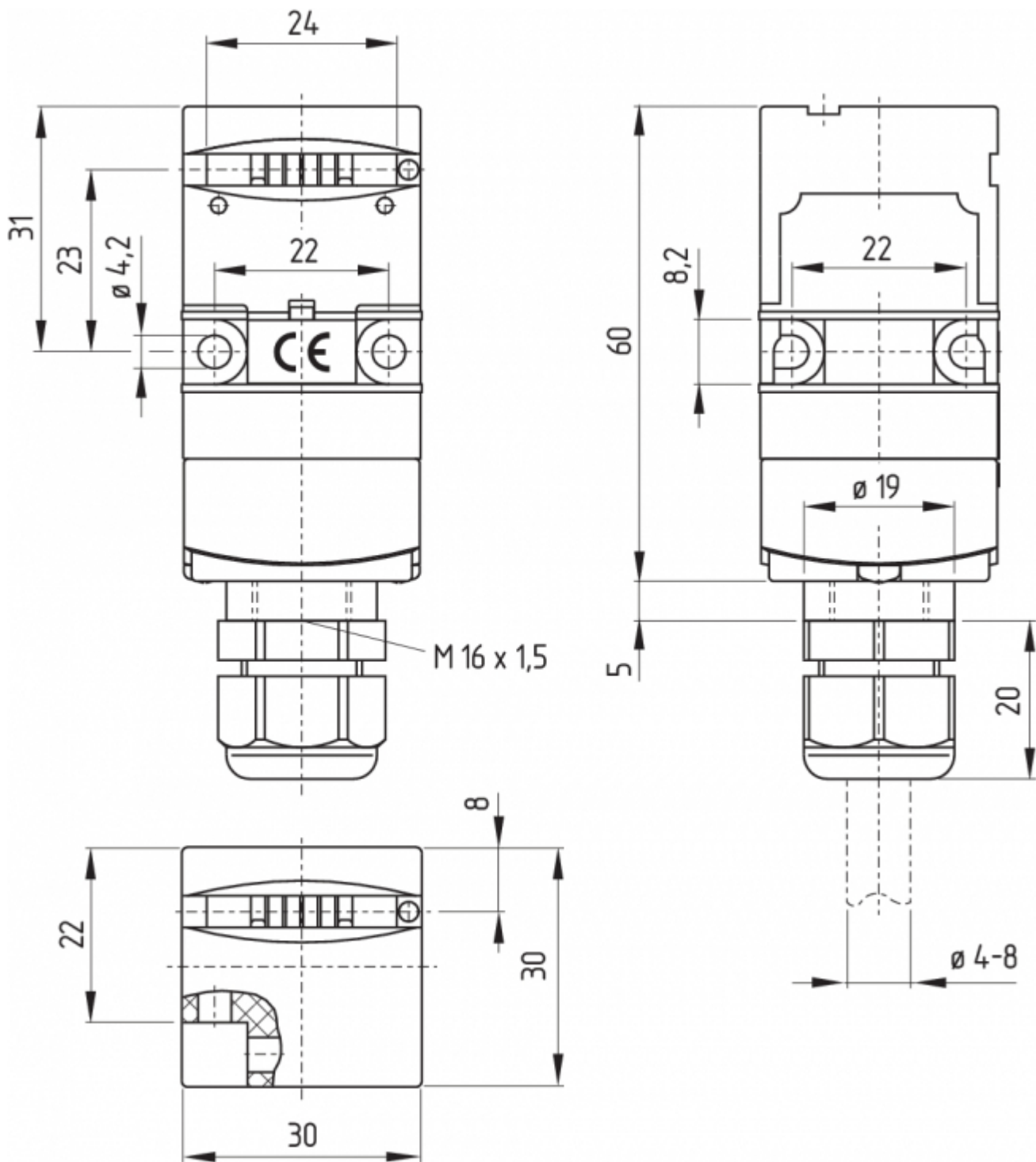


Please observe the remarks of the standards EN ISO 12100, EN ISO 14119 and EN ISO 14120.

The mounting position however must be chosen so that the ingress of dirt and soiling in the used opening is avoided. Use the supplied base plate for the fixing. The tightening torque of the fixing screws must not exceed 150 Ncm. The enclosure must not be used as an end stop. Any position is possible. The mounting position however must be chosen so that the ingress of dirt and soiling in the used opening is avoided. The unused opening must be sealed by means of slot sealing plugs.

3.2 Dimensions

All measurements in mm.



3.3 Mounting of the actuator

See operating instructions Actuator.



The actuator must be permanently fitted to the safety guards and protected against displacement by suitable measures (tamperproof screws, gluing, drilling of the screw heads).

4 Electrical connection

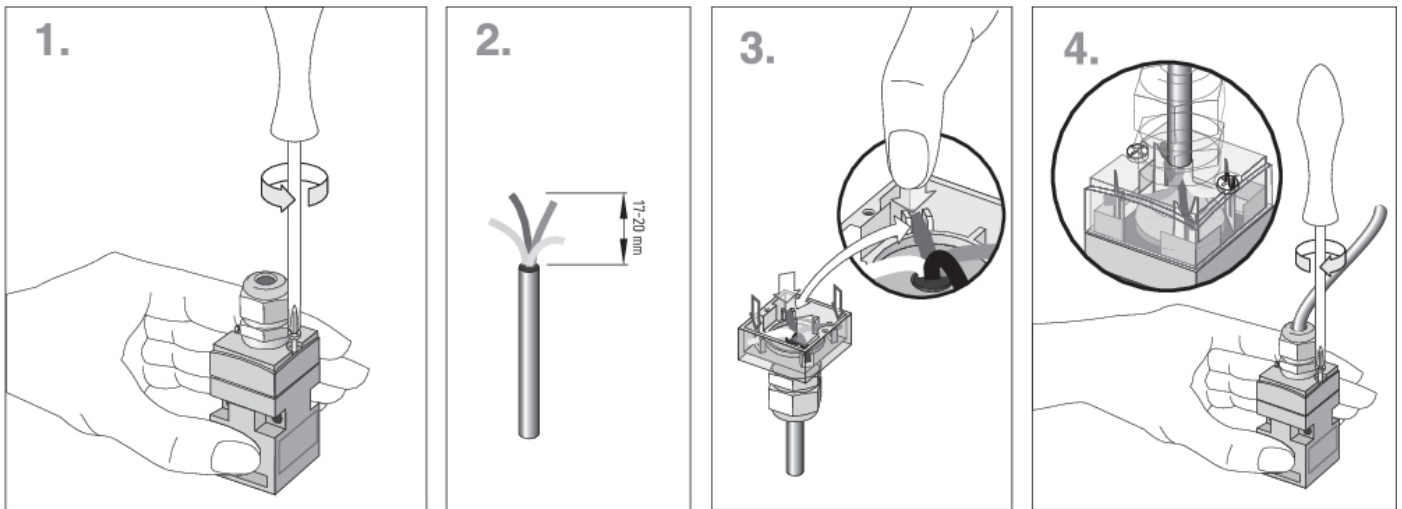
4.1 General information for electrical connection



The electrical connection may only be carried out by authorised personnel in a de-energised condition.

IDC method of termination

The IDC method of termination (cut clamp technology) enables connecting flexible wires with cable section 0.75 ... 1 mm² without using conductor ferrules. To this effect, strip the wire for 17 ... 20 mm and insert it into the cable gland, close the cable gland, push the conductors in the groove of the cover (refer to wiring example) and screw the cover back. Alternatingly tighten the cover screws uniformly. Tightening force for the Torx T10 cover screws 0.7 ... 1 Nm.



4.2 Contact Options

Contacts are shown with safety guard closed. All NC contacts have positive break

| AZ 17-11Z.K | AZ 17-02Z.K |
|-------------|-------------|
| | |

with cable, frontside

| AZ 17-11Z.K-2243 | AZ 17-02Z.K-2243 |
|------------------|------------------|
| | |

with cable, rearside

AZ 17-11Z.K-2243-1

AZ 17-02Z.K-2243-1



with connector, A-coding

AZ 17-11Z.K-ST

AZ 17-02Z.K-ST



Key



Automatic opener, NC contact



Normally-open contact



Normally-closed contact

5 Set-up and maintenance

The safety function of the safety components must be tested. In the case of correct installation and adequate use, the safety switchgear features maintenance-free functionality. A regular visual inspection and functional test, including the following steps, is recommended:

1. Check for correct installation of the actuator and the switch
2. Check the integrity of the cable entry and connections
3. Check the switch enclosure for damages
4. Remove particles of dust and soiling



Adequate measures must be taken to ensure protection against tampering either to prevent tampering of the safety guard, for instance by means of replacement actuators.



Damaged or defective components must be replaced.

6 Disassembly and disposal

6.1 Disassembly

The safety switchgear must be disassembled in a de-energised condition only.

6.2 Disposal



The safety switchgear must be disposed of in an appropriate manner in accordance with the national prescriptions and legislations.