



EN Operating instructions.pages 1 to 2
Original

About this document

This operating instructions manual provides all the information required for the mounting, set-up and commissioning to ensure the safe operation and disassembly of the safety switchgear. The operating instructions must be available in a legible condition and a complete version in the vicinity of the device.

All operations described in this operating instructions manual must be carried out by trained specialist personnel, authorised by the plant operator only.

Selection and installation of the switchgear as well as its inclusion in a control system require that the plant manufacturer have qualified knowledge of the relevant legislation and normative requirements.

General safety instructions

The user must observe the safety instructions in this operating instructions manual, the country specific installation standards as well as all prevailing safety regulations and accident prevention rules. The information contained in this operating instructions manual is provided without liability and is subject to technical modifications.



Warning about misuse
In case of inadequate or improper use or manipulations of the component, personal hazards or damage to machinery or plant components cannot be excluded.

Exclusion of liability

We shall accept no liability for damages and malfunctions resulting from defective mounting or failure to comply with this operating instructions manual. The manufacturer shall accept no liability for damages resulting from the use of unauthorised spare parts or accessories.

For safety reasons, invasive work on the device as well as arbitrary repairs, conversions and modifications to the device are strictly forbidden; the manufacturer shall accept no liability for damages resulting from such invasive work, arbitrary repairs, conversions and/or modifications to the device.

Product description

Door contacts serve as a functional component for monitoring the door position or the locking device in the elevator. With the switchgear, the switching element and actuator are not connected to each other in terms of the design. However, when they are switched they are joined together functionally or separated. When the safety device is opened, the actuator is separated from the base device. Here, the NC contact of the door contact is opened through positive breaking.

i Technical information can be found in the Schmersal catalogues or in the online catalogue on the Internet: www.schmersal.net.

i The currently valid declaration of conformity can be downloaded from the internet at www.schmersal.net.

Construction in principle

The following figures show, in principle, the construction and function of door contacts in the various designs. Further technical details can be found in the Schmersal catalogues or in the online catalogue on the Internet at www.schmersal.net

Mounting

The fixing screws of the switchgear must be protected against unauthorised tampering. The enclosure must not be used as an end stop.

Electrical connection

Wires are to be connected and tightened to the respective torque. Provision must be made for the necessary strain relief.

i Information about the cable sections, torque settings and switch travel can be gleaned from the Schmersal catalogues and the online catalogue on the internet at www.schmersal.net.

Set-up and maintenance

The function of the component must be tested. The following conditions must be previously checked and met:

- 1. Check the switch enclosure for damage
- 2. Check for free movement of the actuating element
- 3. Check the integrity of the cable entry and connections

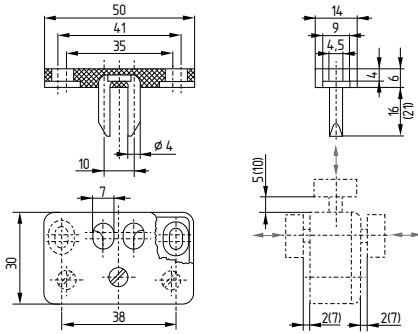
We recommend carrying out a visual inspection and functional test at regular intervals.

Damaged or defective components must be replaced.

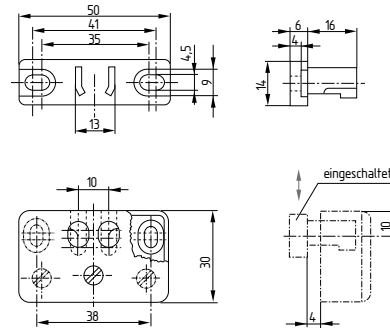
Disassembly and disposal

The switchgear may only be removed when de-energised, professionally and in accordance with national rules and regulations.

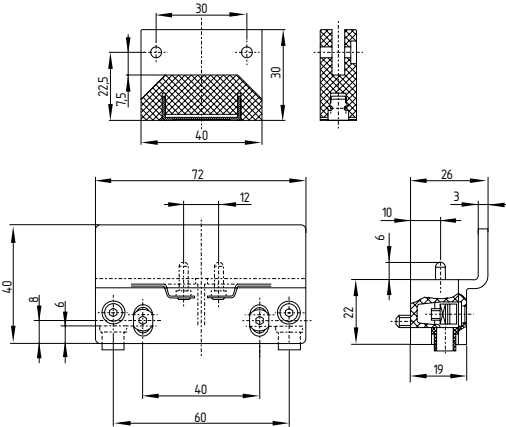
AZ 01



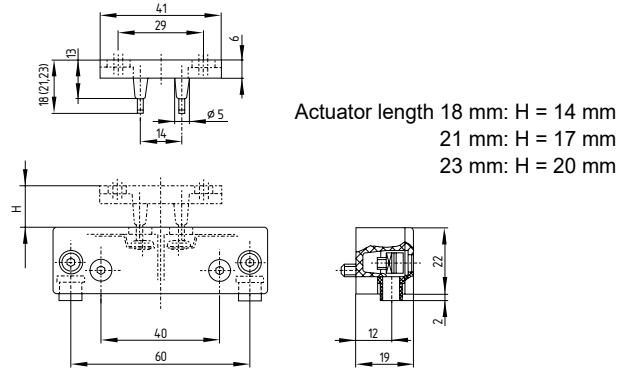
AZ 02



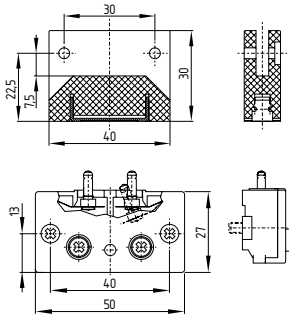
AZ 05



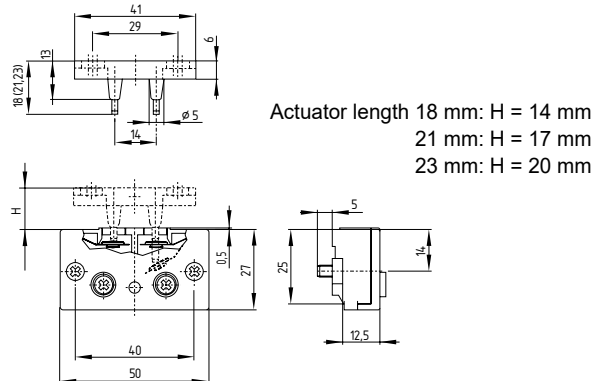
AZ 06, AZ 07



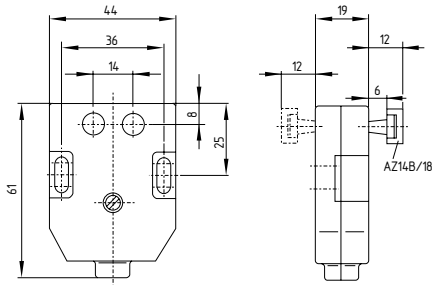
AZ 051, AZ 052, AZ 053



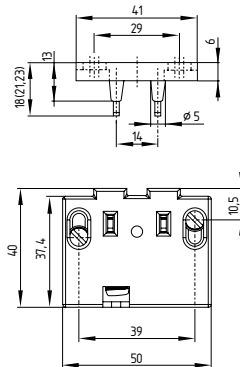
AZ 061, AZ 062, AZ 063, AZ 066



AZ 13, AZ 14-1



AZ 19



K.A. Schmersal GmbH & Co. KG
Mödinghofe 30, 42279 Wuppertal
Germany

Phone: +49 202 6474-0
Fax: +49 202 6474-100
E-Mail: info@schmersal.com
Internet: www.schmersal.com

ACE Schmersal
Eletrônica Industrial Ltda.
Av. Brasil, nº 815, Jardim Esplanada
CEP: 18550-000, Boituva – SP
Brazil
Phone: +55 15 3263-9866
Fax: +55 15 3263-9890
E-Mail: vendas@schmersal.com.br
Internet: www.schmersal.com.br

SCHMERSAL
Industrial Switchgear (Shanghai) Co., Ltd.
Cao Ying Road 3336
201712 Shanghai / Qingpu,
P.R.CHINA
Phone: +86 21 63758287
Fax: +86 21 69214398
E-Mail: info@schmersal.com.cn
Internet: www.schmersal.com.cn

Schmersal India Private Limited
G-7/1, MIDC, Ranjangaon
Taluka Shirur, Dist. Pune – 412 220
Maharashtra
India
Phone: +91 21 38614700
Fax: +91 20 66861114
E-Mail: info-in@schmersal.com
Internet: http://www.schmersal.in

