



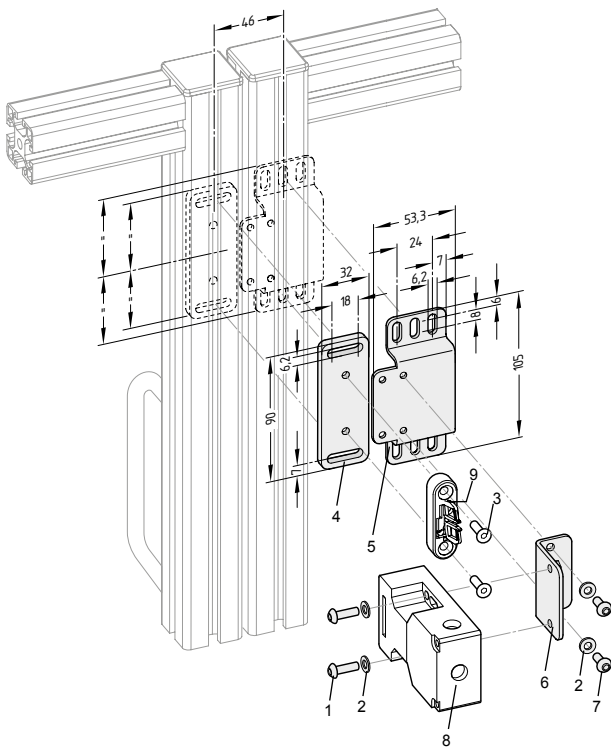
EN Operating instructions. . . . . page 1  
Original

**Appropriate use**

The mounting sets can only be used in conjunction with actuator AZ 15/16-B6.

**MS AZ 15/16 R/P**

Mounting right-angled to safety guard



**Key**

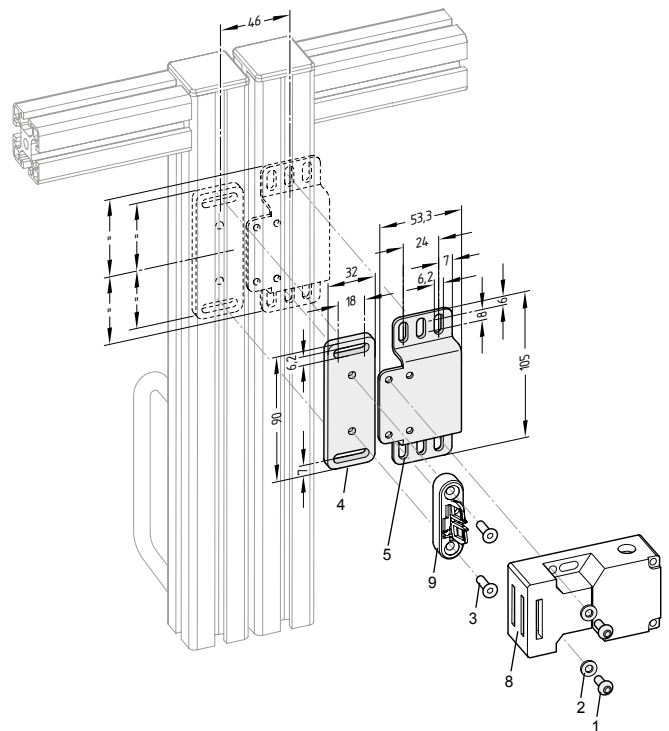
- 1 Roundhead screw M5 x 15 to ISO 7380
- 2 Washer to DIN 125-5,3
- 3 Counter sunk screw M5 x 15 to ISO 7991
- 4 Mounting plate AZ 16/AZM 161
- 5 U-profile AZ 16
- 6 Mounting angle AZ 16
- 7 Roundhead screw M5 x 10 to ISO 7380

**Not included in delivery**

- 8 Safety switch AZ 15/16
- 9 AZ 15/16-B6 actuator

**MS AZ 15/16 P**

Mounting parallel to safety guard



**K. A. Schmersal GmbH & Co. KG**  
Mödinghofe 30, D - 42279 Wuppertal  
Postfach 24 02 63, D - 42232 Wuppertal

Phone: +49 - (0)2 02 - 64 74 - 0  
Telefax: +49 - (0)2 02 - 64 74 - 1 00  
E-Mail: [info@schmersal.com](mailto:info@schmersal.com)  
Internet: <http://www.schmersal.com>

