



EN Operating instructions. . . . . page 1  
Original

**Purpose**

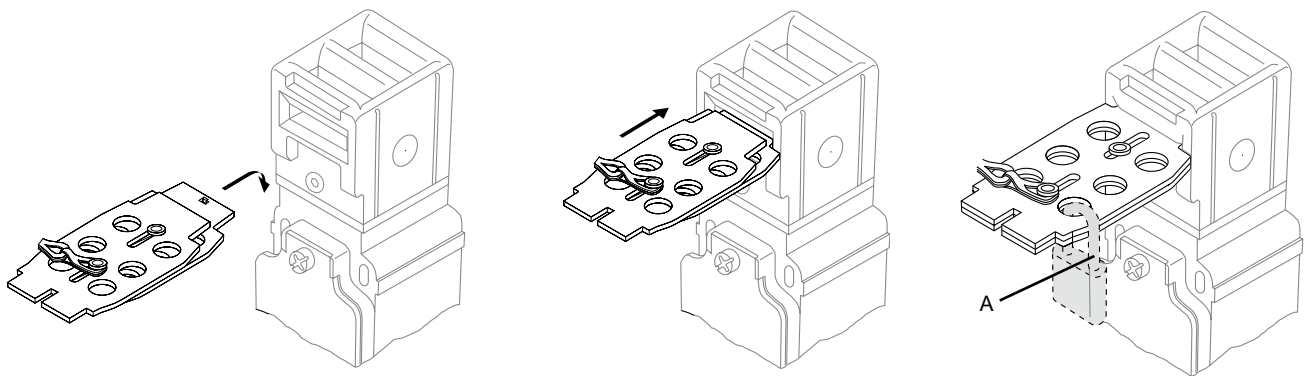
On accessible protective equipment, the lockout tag prevents persons from being inadvertently being trapped.  
When accessing the hazardous area, the operating or service staff fixes a padlock to the lockout tag.

**Application**

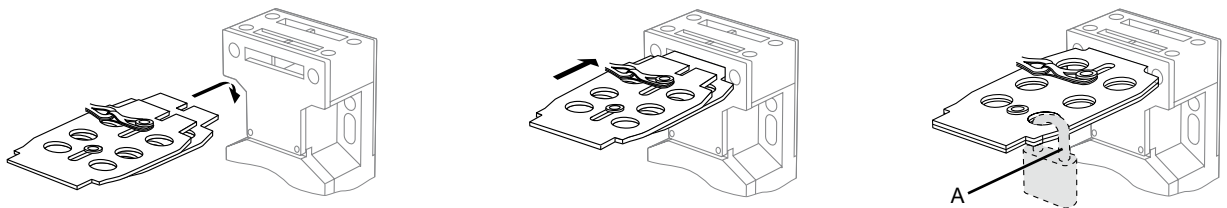
1 to 6 padlocks (not included in delivery) with a maximum shackle diameter of 7.5 mm can be fixed.

The lockout tag can be fixed with a chain close to the safety switch

**AZ 335/355**



**AZ 15/16 and AZM 161**



**Key**  
A Ø max. 7.5 mm

**K.A. Schmersal GmbH & Co. KG**  
Mödinghofe 30, 42279 Wuppertal  
Germany  
Phone: +49 202 6474-0  
Fax: +49 202 6474-100  
E-Mail: info@schmersal.com  
Internet: www.schmersal.com

