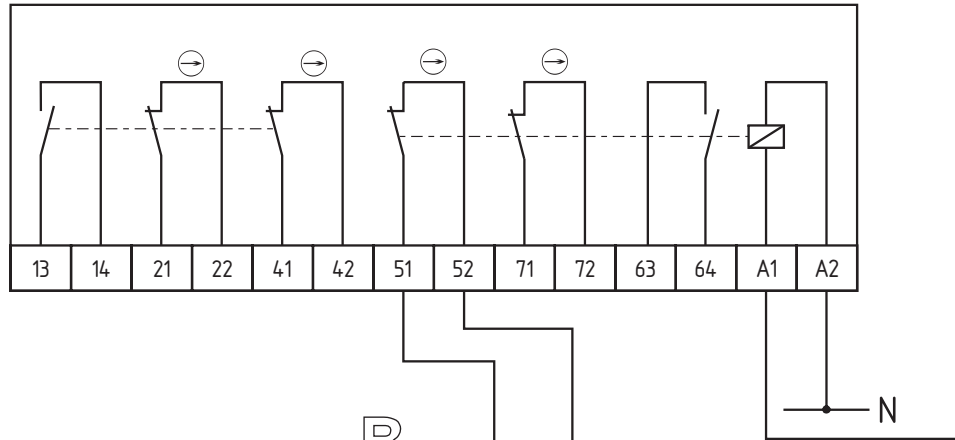
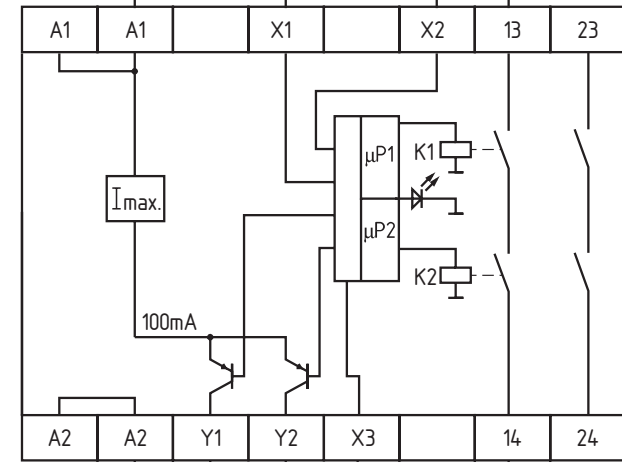
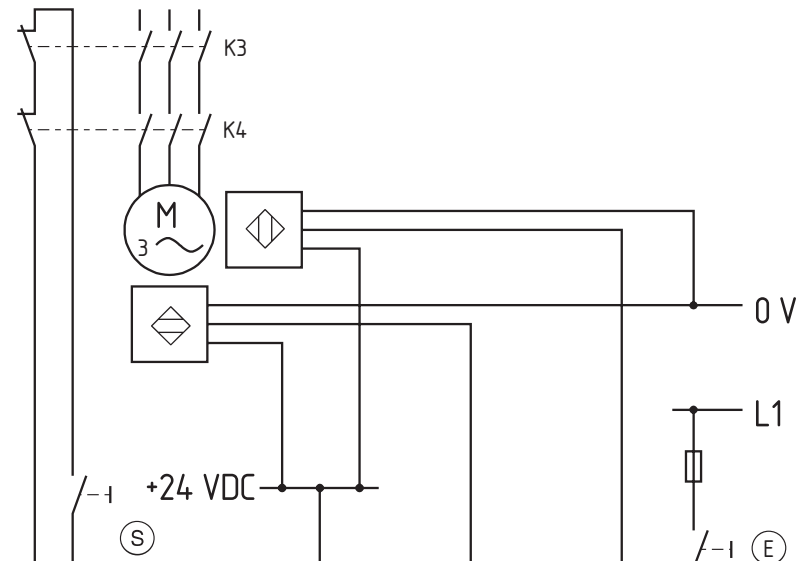
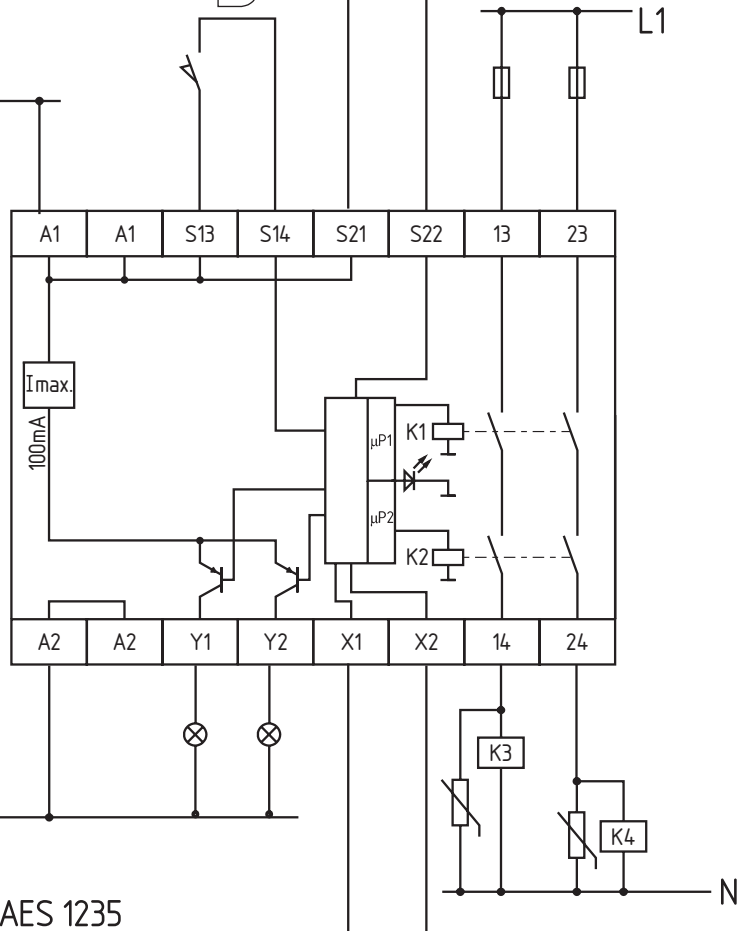


A

AZM 161-12/12

**B**

+24 VDC

0 V
+24 VDC

FWS 1205