



**ECOLAB**

### Model number

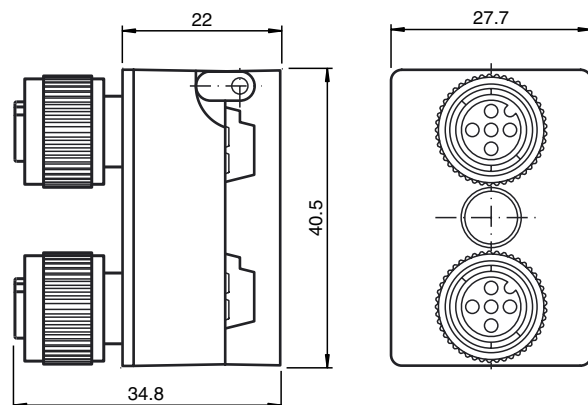
**ASSB-4P-2M12-V1**

Splitter box G10, AS-Interface and auxiliary voltage to 2 x M12

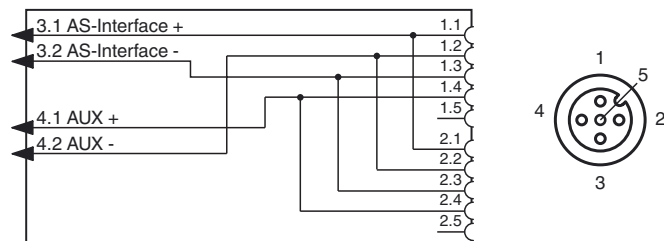
### Features

- One piece housing
- Simple and fast mounting
- Gold-plated and machined contacts
- Immunity to vibration
- Protection degree IP68/IP69K

## Dimensions



## Electrical connection



## Technical data

### General specifications

Construction type	straight socket
	Flat cable terminals AS-Interface/ext. auxiliary voltage

### Electrical specifications

Rated operational voltage	$U_e$	$\leq 32$ V PELV ( AS-Interface , ext. auxiliary voltage AUX )
Rated operational current	$I_e$	$2 \times \leq 4$ A AS-Interface, $2 \times \leq 4$ A AUX
Protection class		III
Overvoltage protected		overvoltage category III
Pulse withstand voltage		800 V

### Ambient conditions

Ambient temperature	-25 ... 75 °C (-13 ... 167 °F)
Storage temperature	-25 ... 85 °C (-13 ... 185 °F)
Pollution Degree	3

### Mechanical specifications

Protection degree	IP67
Connection	Flat cable AS-Interface: cable piercing method Flat cable ext. auxiliary voltage $U_{AUX}$ : Insulation penetration technology Plug connection: M12 x 1 socket (V1)

### Material

Contacts	CuSn / Au
Housing	PBT PC
Mounting screw	Stainless steel 1.4305 / AISI 303
Mass	50 g
Tightening torque, fastening screws	1.65 Nm

### Compliance with standards and directives

Standard conformity	
Protection degree	EN 60529:2000

**K.A. Schmersal GmbH & Co. KG**  
Mödinghofe 30, D - 42279 Wuppertal  
Postfach 24 02 63, D - 42232 Wuppertal

Phone: +49 - (0)2 02 - 64 74 - 0  
Telefax +49 - (0)2 02 - 64 74 - 1 00  
E-Mail: [info@schmersal.com](mailto:info@schmersal.com)  
Internet: <http://www.schmersal.com>



**Notes****Mounting instructions**

You may screw the device onto a level mounting surface using two M4 attachment screws. The attachment screws are not included.

