



EN Operating instructions. pages 1 to 14
Original

Content

1 About this document

1.1 Function 1

1.2 Target group: authorised qualified personnel. 1

1.3 Explanation of the symbols used 1

1.4 Appropriate use 1

1.5 General safety instructions 1

1.6 Warning about misuse 2

1.7 Exclusion of liability 2

2 Product description

2.1 Ordering code 2

2.2 Special versions. 2

2.3 Purpose 2

2.4 Technical Data 3

2.5 Safety classification 3

3 Assembly

3.1 General mounting instructions 3

3.2 Actuating directions 4

3.3 Switch distance 4

3.4 Adjustment 4

3.5 Dimensions 5

3.6 Accessories 5

4 Electrical connection

4.1 General information for electrical connection. 6

4.2 Serial diagnostic -SD 6

5 Operating principle and actuator coding

5.1 Mode of operation of the safety outputs. 6

5.2 Actuator coding 6

6 Diagnostic functions

6.1 Operating principle of the diagnostic LEDs 7

6.2 Operating principle of the electronic diagnostic output 7

6.3 Safety-sensors with serial diagnostic function 8

7 Set-up and maintenance

7.1 Functional testing. 9

7.2 Maintenance 9

8 Disassembly and disposal

8.1 Disassembly. 9

8.2 Disposal 9

9 Appendix

9.1 Wiring examples 10

9.2 Wiring configuration and connector accessories 13

10 EU Declaration of conformity

1. About this document

1.1 Function

This operating instructions manual provides all the information you need for the mounting, set-up and commissioning to ensure the safe operation and disassembly of the safety switchgear. The operating instructions must be available in a legible condition and a complete version in the vicinity of the device.


1.2 Target group: authorised qualified personnel


All operations described in this operating instructions manual must be carried out by trained specialist personnel, authorised by the plant operator only.

Please make sure that you have read and understood these operating instructions and that you know all applicable legislations regarding occupational safety and accident prevention prior to installation and putting the component into operation.

The machine builder must carefully select the harmonised standards to be complied with as well as other technical specifications for the selection, mounting and integration of the components.

1.3 Explanation of the symbols used

 **Information, hint, note:**
This symbol indicates useful additional information.

 **Caution:** Failure to comply with this warning notice could lead to failures or malfunctions.
Warning: Failure to comply with this warning notice could lead to physical injury and/or damage to the machine.

1.4 Appropriate use

The Schmersal delivery programme is not intended for private consumers.

The products described in these operating instructions are developed to execute safety-related functions as part of an entire plant or machine. It is the responsibility of the manufacturer of a machine or plant to ensure the correct functionality of the entire machine or plant.

The safety switchgear must be exclusively used in accordance with the versions listed below or for the applications authorised by the manufacturer. Detailed information regarding the range of applications can be found in the chapter "Product description".

1.5 General safety instructions

The user must observe the safety instructions in this operating instructions manual, labelled with the caution or warning symbol above, the country-specific installation standards as well as all prevailing safety regulations and accident prevention rules.



Further technical information can be found in the Schmersal catalogues or in the online catalogue on the Internet: products.schmersal.com.

The information contained in this operating instructions manual is provided without liability and is subject to technical modifications.

There are no residual risks, provided that the safety instructions as well as the instructions regarding mounting, commissioning, operation and maintenance are observed.

1.6 Warning about misuse



In case of improper use or manipulation of the safety switchgear, personal hazards or damages to machinery or plant components cannot be excluded. The relevant requirements of the standard EN ISO 14119 must be observed.

1.7 Exclusion of liability

We shall accept no liability for damages and malfunctions resulting from defective mounting or failure to comply with this operating instructions manual. The manufacturer shall accept no liability for damages resulting from the use of unauthorised spare parts or accessories.

For safety reasons, invasive work on the device as well as arbitrary repairs, conversions and modifications to the device are strictly forbidden, the manufacturer shall accept no liability for damages resulting from such invasive work, arbitrary repairs, conversions and/or modifications to the device.

2. Product description

2.1 Ordering code

This operating instructions manual applies to the following types:

RSS260-①-②-③-④-⑤		Connection cable or with 8-pin connector
No.	Option	Description
①	I1	Standard coding
	I2	Individual coding
②	D	Individual coding, re-teaching enabled
	SD	With diagnostic output
③		With serial diagnostic function
		Standard version
		without feedback circuit monitoring EDM (External Device Monitoring)
		EDM with automatic reset
④	F0	EDM with manual reset
	F1	Without emergency-stop
⑤	Q	Acknowledge input error with EMERGENCY STOP
	ST	Connection cable (length in m)
	LSTM12-8-0.25M	Connector plug M8, 8-pole
	LSTM8-8-0.1M	Cable 0.25 m long with connector M12, 8-pole
		Cable 0.1 m long with connector M8, 8-pole

RSS260-①-②-LSTM12-5-0,25M		with 5-pin connector
No.	Option	Description
①	I1	Standard coding
	I2	Individual coding
②		Individual coding, re-teaching enabled
	D	Without diagnostic function
		With diagnostic output

Actuator

RST260-1 Identical design to that of the RSS260 safety sensor

2.2 Special versions

For special versions, which are not listed in the order code below 2.1, these specifications apply accordingly, provided that they correspond to the standard version.

2.3 Purpose

This non-contact, electronic safety sensor is designed for application in safety circuits and is used for monitoring the position of movable safety guards. In this application, the safety sensor monitors the position of hinged, sliding or removable safety guards by means of the coded electronic actuator.

The safety function consists of safely switching off the safety outputs when the safety guard is opened and maintaining the safe switched off condition of the safety outputs for as long as the safety guard is open.



The safety switchgears are classified according to EN ISO 14119 as type 4 interlocking devices. Designs with individual coding are classified as highly coded.

The diagnostic output of the safety sensor alternatively can be used as a conventional output or as a "serial output" with input and output channel.

The sensor additionally executes functions of a safety-monitoring module. At both safety outputs, two auxiliary contactors¹⁾ or relays¹⁾ (¹⁾ each with positive-action contacts in accordance with EN 60947-5-1 or EN 50205) can be connected, whose safety-related function is checked by the sensor by means of a feedback circuit (External Device Monitoring). The feedback circuit includes the series-wiring of the NC contacts of the auxiliary contactors or relays. For the F0 version, an "enabling switch" (without safety function) can be integrated into the feedback circuit. For the F1 version, a "reset button" is required, which is monitored for a trailing edge. This function corresponds to the "manual reset function" to EN ISO 13849-1.

The Q option monitors simultaneous shutdown of the sensor inputs. Series-wired sensors enable integration of EMERGENCY STOP switching elements for applications to PLe. The EMERGENCY STOP contacts are supplied by the cross-circuit monitored output signals of an upstream electronic safety switchgear device. At the end of the chain, a sensor with Q option for connecting an acknowledgement function monitors the chain for synchronous shutdown of both channels. In the event of erroneous shutdown, the error must be rectified. The safety outputs can be reactivated only once the error has been acknowledged.

Series-wiring (only 8-pin version)

Series-wiring can be set up. Response and risk times remain unchanged by series-wiring. The quantity of devices is only limited by the cable drops and the external cable fuse protection, according to the technical data. Series-wiring of up to 31 RSS 260 ... SD components with serial diagnostics is possible.

In devices with the serial diagnostics function (ordering suffix -SD), the serial diagnostics connections are wired in series and connected to a SD-Gateway for evaluation purposes.

Wiring examples for series-wiring, refer to appendix.



The user must evaluate and design the safety chain in accordance with the relevant standards and the required safety level. If multiple safety switchgears are involved in the same safety function, the PFH values of the individual components must be added.



The entire concept of the control system, in which the safety component is integrated, must be validated to the relevant standards.

2.4 Technical Data

Standards:	EN 60947-5-3, EN ISO 13849-1, IEC 61508, EN 62061		
Enclosure:	thermoplastic PBT		
Active principle:	RFID		
Frequency band:	125 kHz		
Transmitter output:	max. -6 dBm		
Coding level according to EN ISO 14119:			
- I1-version:	high		
- I2-version:	high		
- Standard coding version:	low		
Reaction time, switching off outputs Y1, Y2 via:			
- Actuator:	≤ 100 ms		
Duration of risk:	≤ 200 ms		
Time to readiness:	≤ 2 s		
Series-wiring (only 8-pin version):	Number of devices unrestricted, observe external wiring protection, max. 31 devices with serial diagnostic		
Connection:	Connecting cable, connector plug M8, 8-pole, A-coded, connecting cable 0,25 m long with connector M12, 8-pole, A-coded, connecting cable 0,1 m long with connector M8, 8-pole, A-coded, connecting cable 0,25 m long with connector M12, 5-pole, A-coded		
Cable:			
- Version with connection cable:	8 x 0.14 mm ² , PUR		
- Version LST, 8-pole:	8 x 0.14 mm ² , PUR		
- Version LST, 5-pole:	5 x 0.14 mm ² , PUR		
Switching distances to EN 60947-5-3:			
Typical switching distance:	12 mm		
- in case of lateral actuation:	9 mm		
Assured switching distance s_{ao} :			
- in temperature range -10 °C ... +60 °C:	10 mm		
- with sideways approach:	6 mm		
- in temperature range -25 °C ... +65 °C:	8 mm		
- with sideways approach:	4 mm		
Assured switch-off distance s_{ar} :	18 mm		
- in case of lateral actuation:	15 mm		
Hysteresis:	< 2.0 mm		
Repeat accuracy:	< 0.5 mm		
Ambient conditions:			
Ambient temperature:	-25 °C ... +65 °C		
Storage and transport temperature:	-25 °C ... +85 °C		
Relative humidity:	max. 93 %, non condensing, non icing		
Degree of protection:	IP65 / IP67		
Installation altitude above sea level:	max. 2,000 m		
Resistance to vibration:	10 ... 55 Hz, Amplitude 1 mm		
Resistance to shock:	30 g / 11 ms		
Switching frequency:	≤ 1 Hz		
Wire and device fuse rating:	≤ 2 A		
Electrical data:			
Rated operating voltage U_e :	24 VDC -15% / +10% (PELV to EN 60204-1)		
Rated operating current I_o :	0.6 A		
Minimum operating current I_m :	0.5 mA		
Required rated short-circuit current:	100 A		
Rated insulation voltage U_i :	32 V		
Rated impulse withstand voltage U_{imp} :	800 V		
Residual current I_r :	< 0.5 mA		
No-load current I_o :	35 mA		
Overvoltage category:	III		
Degree of pollution:	3		
Safety inputs X1/X2 (only 8-pin version):			
Rated operating voltage U_{e1} :	24 VDC -15% / +10% (PELV unit)		
Current consumption per input:	5 mA		
Accepted test pulse duration on input signal:	≤ 1.0 ms		
- With test pulse interval of:	≥ 100 ms		
Classification:	ZVEI CB24I		
Sink:	C1	Source:	C1 C2 C3

Safety outputs Y1/Y2:	p-type, short-circuit proof		
Operating current I_{o1} :	max. 0,25 A		
Utilisation category:	DC-12 U_e/I_e 24 VDC / 0.25 A DC-13 U_e/I_e 24 VDC / 0.25 A		
Voltage drop U_d :	< 1 V		
Test pulse duration:	≤ 1.0 ms		
Test pulse interval:	1000 ms		
Classification:	ZVEI CB24I		
Source:	C1	Sink:	C1

Diagnostic output OUT:	short-circuit proof, p-type		
Operating current I_{o2} :	max. 0,05 A		
Utilisation category:	DC-12 U_e/I_e 24 VDC / 0.05 A DC-13 U_e/I_e 24 VDC / 0.05 A		
Voltage drop U_d :	$U_e < 2 V$		
Serial diagnostic OUT (only 8-pin version):	short-circuit proof		
Operating current:	150 mA		
Wiring capacitance:	max. 50 nF		



For use in NFPA 79 Applications.
Adapters providing field wiring means are available from the manufacturer. Refer to manufacturer's information.
For use in Pollution Degree 2 Environment.



This device complies with part 15 of the FCC Rules and contains licence-exempt transmitter(s)/receiver(s) that comply with Innovation, Science and Economic Development Canada's licence-exempt RSS(s): Operation is subject to the following two conditions:
(1) This device may not cause harmful interference, and
(2) this device must accept any interference received, including interference that may cause undesired operation.
This device complies with the Nerve Stimulation Exposure Limits (ISED SPR-002) for direct touch operations. Changes or modifications not expressly approved by K.A. Schmersal GmbH & Co. KG could void the user's authority to operate the equipment.

L'émetteur/récepteur exempt de licence contenu dans le présent appareil est conforme aux CNR d'Innovation, Sciences et Développement économique Canada applicables aux appareils radio exempts de licence. L'exploitation est autorisée aux deux conditions suivantes:
(1) L'appareil ne doit pas produire de brouillage.
(2) L'appareil doit accepter tout brouillage radioélectrique subi, même si le brouillage est susceptible d'en compromettre le fonctionnement.
Cet appareil est conforme aux limites d'exposition relatives à la stimulation des nerfs (ISED CNR-102) pour les opérations tactiles directes. Changements ou modifications non expressément approuvés par K.A. Schmersal GmbH & Co. KG pourrait annuler le droit de l'utilisateur à utiliser l'équipement.

2.5 Safety classification

Standards:	EN ISO 13849-1, IEC 61508, EN 62061		
PL:	up to e		
Control Category:	4		
PFH:	$6.8 \times 10^{-10} / h$		
PFD:	1.2×10^{-4}		
SIL:	suitable for SIL 3 applications		
Mission time:	20 years		

3. Assembly

3.1 General mounting instructions



During fitting, the requirements of EN ISO 14119 must be observed.

The mounting holes provide for a variable mounting by means of M4 screws (max. tightening torque 0.8 Nm). The component can be mounted in any position. The minimum bend radius of the cable or LST variants is 25 mm.

The active areas of the sensor and the actuator have to face each other. The safety sensor must only be used within the assured switching distances $\leq s_{ao}$ and $\geq s_{ar}$.

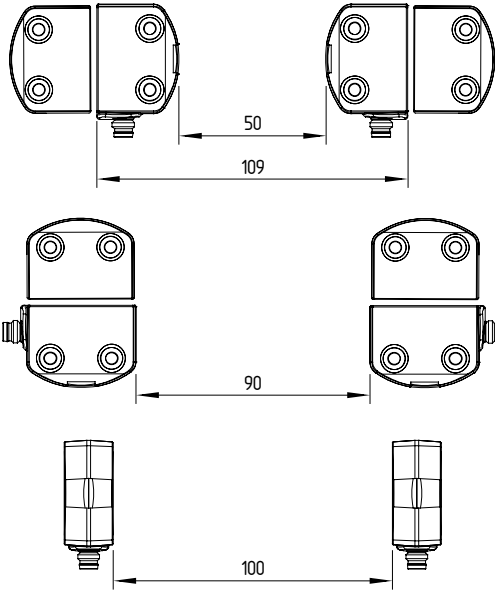


The actuator must be permanently fitted to the safety guards and protected against displacement by suitable measures (tamperproof screws, gluing, drilling of the screw heads).

To avoid any interference inherent to this kind of system and any reduction of the switching distances, please observe the following guidelines:

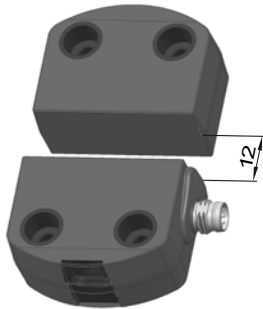
- The presence of metal chips in the vicinity of the sensor is liable to modify the switching distance.
- Keep away from metal chips.

Minimum distance between two safety sensors as well as other systems with same frequency (125 kHz):

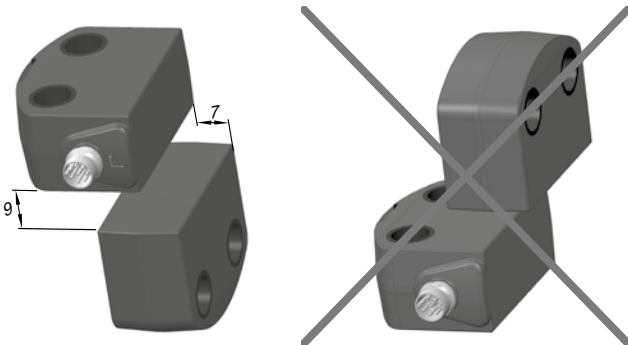


3.2 Actuating directions

Actuation from front



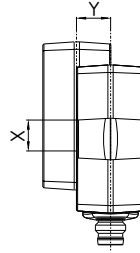
Actuation from side



Lateral actuation only from the shown sensor side

3.3 Switch distance

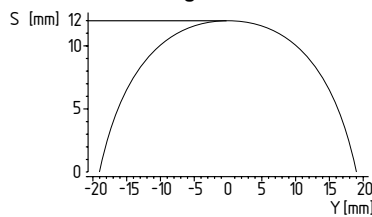
The side allows for a maximum height misalignment (X) of sensor and actuator of ± 8 mm (e.g. mounting tolerance or due to guard door sagging). The axial misalignment (Y) is max. ± 18 mm.



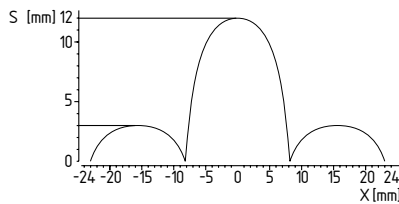
Actuating curves

The actuating curves represent the typical switching distance of the safety sensor during the approach of the actuator subject to the actuating direction

Transverse misalignment



Height misalignment



Preferred actuation directions: from front or from side
In case of a lateral actuation, the switching distances are reduced by approx. 3 mm.

3.4 Adjustment

The continuous signal of the yellow LED signals the actuator detection; the flashing of the yellow LED signals that the safety sensor is actuated in the hysteresis area.



Recommended Adjustment

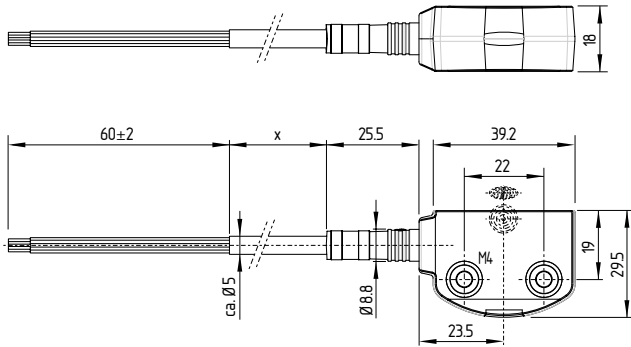
Align the safety sensor and actuator at a distance of $0.5 \times s_{ao}$.

The correct functionality of both safety channels must be checked by means of the connected safety-monitoring module.

3.5 Dimensions

All measurements in mm.

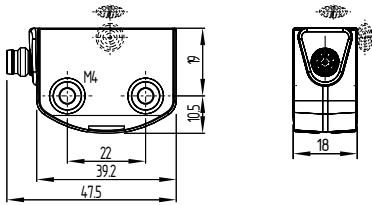
Safety sensor with integrated connecting cable



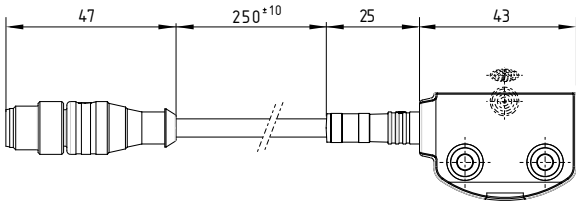
Key:

x Cable length

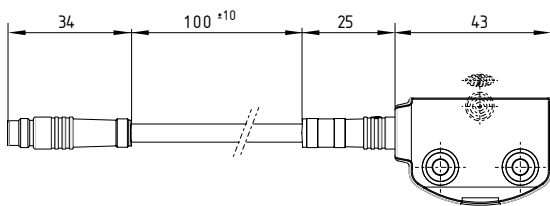
Safety sensor RSS260-...-ST



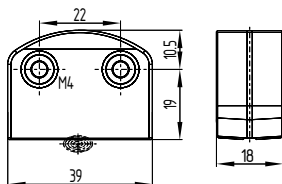
Safety sensor RSS260-...-LSTM12



Safety sensor RSS260-...-LSTM8



Actuator: RST260-1



Legend:



active area



Alternative suitable actuators with different design: refer to products.schmersal.com.

3.6 Accessories

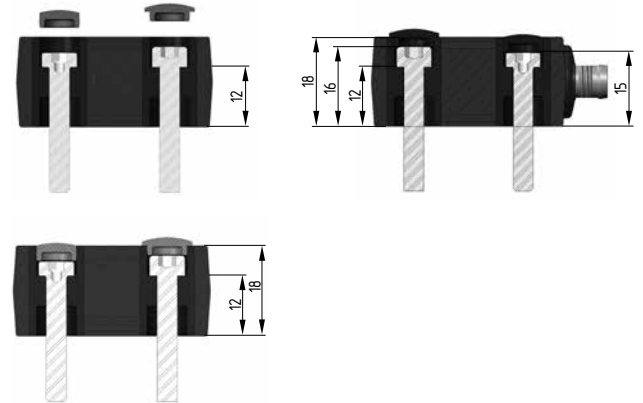
(to be ordered separately)

Kit tamper-proof screws

- 4 x M4x20 incl. washers, ordering code **103006158**
- 4 x M4x25 incl. washers, ordering code **101217746**

Sealing kit

- Ordering code **103004733**
- Plugs: 4 flat pieces for flush finish and 4 with border for high screw heads
- To seal the mounting holes
- Flush one-way plugs for flat screw heads, also suitable as tampering protection for the screw fixings



Mounting set

- Ordering code **103005469**
- Alternative use of the mounting plates or ferrules
- Mounting plates: 2 pieces for mounting on non-linear stable basis, e.g. on groove rails/profiles
- Ferrules: 4 pieces for insertion to secure the screw fixings to the mounting surface for applications with regular high temperature variations



4. Electrical connection

4.1 General information for electrical connection



The electrical connection may only be carried out by authorised personnel in a de-energised condition.

The safety outputs can be integrated into the safety circuit of the control system. For applications of PL e / control category 4 to EN ISO 13849-1, the safety outputs of the safety sensor or of the sensor chain must be wired to a safety monitoring-module of the same control category.

Protection is not required when pilot wires are laid. The cables however must be separated from the supply and energy cables. The required electrical cable fuse protection must be integrated in the installation. The max. fuse rate for a sensor chain depends on the section of the connecting cable of the sensor.

Requirements for the connected safety-monitoring module

- Dual-channel safety input, suitable for p-type sensors with NO function



Information for the selection of suitable safety-monitoring modules can be found in the Schmersal catalogues or in the online catalogue on the Internet: products.schmersal.com.

As an alternative to an evaluation unit, the safety sensors of the RSS260 ..F0 or RSS260 ..F1 series can also be used for direct control and monitoring of safety contactors as first sensor of a series-wired chain (cf. section 2.3).

If the safety sensor is wired to relays or to non-safety relevant control components, a new risk analysis must be carried out.

The sensors cyclically switch off the safety output to test them. The safe The switch-off times must be tolerated by the safety-monitoring module. The switch -off time of the safety sensor is additionally extended depending on the cable length and the capacity of the cable used. Typically, a switch-off time of 250 µs is reached with a 30-m connecting cable.



Configuration of the safety-monitoring module

If the safety sensor is connected to electronic safety-monitoring modules, we recommend that you set a discrepancy time of min. 100 ms.

The safety inputs of the safety-monitoring module must be able blanking a test impulse of approx. 1 ms.

The safety-monitoring module does not need to have a cross-wire short monitoring function, if necessary, the cross-wire short monitoring function must be disabled.

4.2 Serial diagnostic -SD (only 8-pin version)

Cable design in case of serial diagnostics



On wiring SD devices, please pay attention to the voltage drop on the cables and the current carrying capacity of the individual components.

The wiring capacitance of the connecting cable of the safety sensor must not exceed 50 nF.

Depending on the strand structure, normal unshielded 30 m long control cables LIYY 0.25 (0.14) mm² to 1.5 mm² have a wiring capacitance of approx. 3 - 7 nF.



Accessories for the series-wiring

For convenient wiring and series-wiring of SD components, the SD junction boxes PFB-SD-4M12-SD (variant for the field) and PDM-SD-4CC-SD (variant for control cabinet on carrier rail) are available along with additional comprehensive accessories.

Detailed information is available on the Internet, products.schmersal.com.

5. Operating principle and actuator coding

5.1 Mode of operation of the safety outputs

The safety outputs can be integrated into the safety circuit of the control system. The opening of a safety guard, i.e. the actuator is removed out of the active zone of the sensor, will immediately disable the safety outputs of the sensor (switching distances refer to technical data).

Any error that does not immediately affect the functionality of the safety sensor (e.g. too high the ambient temperature, interference potential at a safety output, cross-wire short) will lead to a warning message, the disabling of the diagnostic output and the delayed shut-down of the safety outputs. safety outputs are disabled if the error warning is active for 30 minutes.

The signal combination, diagnostic output disabled and safety channels still enabled, can be used to stop the production process in a controlled manner.

After fault rectification, the error message is reset by opening and re-closing the corresponding safety guard. The safety outputs enable and allow a restart.

For devices with serial diagnostic, a bit can be set/deleted in the call telegram to reset the fault.

5.2 Actuator coding

Safety sensors with standard coding are ready to use upon delivery.

Individually coded safety sensors and actuators will require the following "teach-in" procedure:

1. Switch the safety sensor's voltage supply off and back on.
2. Introduce the actuator in the detection range. The teach-in procedure is signalled at the safety sensor, red LED on, yellow LED flashes (1 Hz).
3. After 10 seconds, brief cyclic flashes (3 Hz) request the switch-off of the operating voltage of the safety sensor. (If the voltage is not switched off within 5 minutes, the safety sensor cancels the "teach-in" procedure and signals a false actuator by 5 red flashes).
4. After the operating voltage is switched back on, the actuator must be detected once more in order to activate the taught actuator code. In this way, the activated code is definitively saved!

For ordering suffix -I1, the thus executed allocation of safety sensor and actuator is irreversible.

For ordering suffix -I2, the "teach-in" procedure for a new actuator can be repeated an unlimited number of times. When a new actuator is taught, the code, which was applicable until that moment, becomes invalid. Subsequent to that, an enabling inhibit will be active for ten minutes, thus providing for an increased protection against tampering. The green LED will flash until the expiration of the time of the enabling inhibit and the detection of the new actuator.

The 10-minutes protection time will subsequently restart in case of a power failure during the lapse of time.

6. Diagnostic functions

6.1 Operating principle of the diagnostic LEDs

The safety sensor indicates the operating condition and faults by means of three-colour LEDs located in the lateral surfaces of the sensor.



The following LED indicators are the same for safety sensors with conventional diagnostic output as for those with a serial diagnostic function.

The green LED indicates that the safety sensor is ready for operation. The supply voltage is on and all safety inputs are present. Flashing (1 Hz) of the green LED signals that a voltage is missing on one or both of the safety inputs (X1 and/or X2).

The yellow LED always signals the presence of an actuator within range. If the actuator is operating near the limit of the hysteresis range of the safety sensor, the LED is flashing.

The flashing can be used to prematurely detect variations in the clearance between the sensor and the actuator (e.g. sagging of a safety guard). The sensor must be adjusted before the distance to the actuator increases and before the safety outputs are disabled, thus stopping the machine. If an error is detected, the red LED will be activated.

Diagnostic LED's

LED indication (red)	Error cause
1 flash pulse	Error output Y1
2 flash pulses	Error output Y2
3 flash pulses	Cross-wire Y1/Y2
4 flash pulses	Ambient temperature too high
5 flash pulses	Incorrect or defective actuator
6 flash pulses	Discrepancy time error at X1/X2
Continuous red	Internal fault, with yellow flashing teaching procedure

6.2 Operating principle of the electronic diagnostic output

A diagnostic output additionally indicates the operating condition (refer to table 1). These signals can be used in a downstream control.

The short-circuit proof diagnostic output OUT can be used for central visualisation or control functions, e.g. in a PLC. It indicates the switching condition as shown in the table 1.

Error

Errors, which no longer guarantee the function of the safety sensor (internal errors) cause the safety outputs to be disabled within the risk time. Any error that does not immediately affect the safe functionality of the safety sensor (e.g. the ambient temperature too high, interference potential at a safety output, cross-wire short) will lead to a delayed shut-down (refer to table 2).

After the rectification of the error, the error message is reset by opening the corresponding safety guard. A discrepancy time error is saved protected against power interruption and must be reset with an error acknowledgement.

Error warning

The diagnostic output can also be used to detect clearance variations between the sensor and the actuator in the same way as the yellow LED. An active fault is visualised by the red LED and causes the diagnostic output to be disabled. The safety outputs are disabled after max. 30 minutes if the fault is not rectified. This signal combination, diagnostic output disabled and safety channels still enabled, can be used to stop the production process in a controlled manner.

Table 1: Examples of the diagnostic function of the safety-sensor with conventional diagnostic output

Sensor function	LED's			Diagnostic output	Safety outputs Y1, Y2	Comments
	Green	Red	Yellow			
I. Supply voltage	On	Off	Off	0 V	0 V	Voltage on, no evaluation of the voltage quality
II. Actuated	On	Off	On	24 V	24 V	The yellow LED always signals the presence of an actuator within range.
III. Actuated in limit area	On	Off	Flashes (1Hz)	24 V pulsed	24 V	The sensor must be adjusted before the distance to the actuator increases and before the safety outputs are disabled, thus stopping the machine.
IV. Internal error or in the event of simultaneous flashing, teach-in process	On	Off	Flashes (5Hz)	24 V	0 V	The sensor waits for a signal at the feedback circuit: F0: Closing of the feedback circuit F1: Trailing edge at feedback circuit
V. Actuated in limit area and feedback circuit open	On	Off	flashes alternately (1Hz/5Hz)	24 V pulsed	0 V	LED indication combines the sensor functions III. and IV.
VI. Error warning, sensor actuated	Off	Flashes	On	0 V	24 V	After 30 minutes if the error is not rectified
VII. Error	Off	Flashes	On	0 V	0 V	Refer to table with flash codes
VIII. Teach actuator	Off	On	Flashes	0 V	0 V	Sensor in teaching mode
IX. Protection time	Flashes	Off	Off	0 V	0 V	10 minutes pause after re-teaching
X. Error in input circuit X1 and/or X2	Flashes (1Hz)	Off	Off	0 V	0 V	Example: door open; a door in the safety circuit upstream is also open.
XI. Error in input circuit X1 and/or X2	Flashes (1Hz)	Off	On	24 V	0 V	Example: door closed, a door in the safety circuit upstream is open.

6.3 Safety-sensors with serial diagnostic function (only 8-pin version)

Safety sensors with serial diagnostic cable have a serial input and output instead of the conventional diagnostic output. If RSS / CSS safety sensors are wired in series, the safety channels as well as the inputs and outputs of the diagnostic channels are wired in series.

Max. 31 safety switchgear with serial diagnostics can be wired in series. For the evaluation of the serial diagnostics line either the PROFIBUS-Gateway SD-I-DP-V0-2 or the Universal-Gateway SD-I-U-... are used. This SD-Gateway is integrated as a slave in an existing field bus system. In this way, the diagnostic signals can be evaluated by means of a PLC. The necessary software for the integration of the SD-Gateway is available for download at products.schmersal.com.

The response data and the diagnostic data are automatically and permanently written in the assigned input byte of the PLC for each safety sensor in the series-wired chain.

The request data for each safety sensor are transmitted to the device through an output byte of the PLC.

In the event of a communication error between the SD-Gateway and the safety sensor, the switching condition of the safety output of the safety sensor is maintained.

- Bit 0: safety outputs enabled
- Bit 1: safety sensor actuated, actuator identified
- Bit 3: feedback circuit open or reset button not actuated
- Bit 4: both safety inputs live
- Bit 5: safety sensor actuated in hysteresis area
- Bit 6: error warning, switch-off delay activated
- Bit 7: error, safety outputs switched off

Error

A fault has occurred, which causes the safety outputs to be disabled. The fault is reset, when the cause is eliminated and bit 7 of the request byte changes from 1 to 0 or the safety guard is opened. Faults at the safety outputs are only deleted upon the next release, as the fault rectification cannot be detected sooner. Discrepancy error reset if bit 6 of the call byte changes from 1 to 0.

Error warning

A fault has occurred, which causes the safety outputs to be disabled after 30 minutes. The safety outputs initially remain enabled. This enables the shutdown of the process in a controlled manner. An error warning is deleted when the error cause is eliminated.

Diagnostic error (warning)

If an error (warning) is signalled in the response byte, detailed fault information can be read out.

Detailed information about the use of the serial diagnostics can be found in the operating instructions of the PROFIBUS-Gateway SD-I-DP-V0-2 and the Universal-Gateway SD-I-U-....

Table 2: Function of the visual diagnostic LED's, the serial status signals and the safety outputs by means of an example

System condition	LED's			Safety outputs Y1, Y2	Status signals serial diagnostic byte Bit n°							
	green	red	yellow		7	6	5	4	3	2	1	0
Non-actuated, inputs X1 and X2 enabled	On	Off	Off	0 V	0	0	0	1	0	0	0	0
Actuated, feedback circuit open / not actuated	On	Off	Flashes (5Hz)	0 V	0	0	0	1	1	0	1	0
Actuated, safety outputs enabled	On	Off	On	24 V	0	0	0	1	0	0	1	1
Actuated in limit area	On	Off	Flashes (1Hz)	24 V	0	0	1	1	0	0	1	1
Actuated, warning	Off	Flashes	On	24 V	0	1	0	1	0	0	1	1
Actuated, fault	Off	On/flashes	On	0 V	1	1	0	1	0	0	1	0

The shown bit order of the diagnostic byte is an example. A different combination of the operational conditions will lead to a change of the bit order. The LED displays correspond to Table 1.

Table 3: Tabular overview of status signals, warnings or error messages

Communication directions: Request byte: from the PLC to the local safety sensor
 Response byte: from the local safety sensor to the PLC
 Warning/error byte: from the local safety sensor to the PLC

Bit n°	Request byte	Response byte	Diagnostics	
			Error warnings	Error messages
Bit 0:	—	Safety output activated	Error output Y1	Error output Y1
Bit 1:	—	Actuator detected	Error output Y2	Error output Y2
Bit 2:	—	—	Cross-wire Y1/Y2	Cross-wire Y1/Y2
Bit 3:	—	—	Temperature too high	Temperature too high
Bit 4:	—	Input condition X1 and X2	—	Incorrect or defective actuator
Bit 5:	—	Actuated in limit area	Internal device error	Internal device error
Bit 6:	Error acknowledgement, discrepancy time exceeded	Error warning	Communication error between the field bus Gateway and the safety sensor	Error, discrepancy time exceeded at X1/X2
Bit 7:	Error reset	Error (enabling path switched off)	—	—

The described condition is reached, when Bit = 1

7. Set-up and maintenance

7.1 Functional testing

The safety function of the safety components must be tested. The following conditions must be previously checked and met:

1. Fitting of the sensor and the actuator.
2. Fitting and integrity of the power cable.
3. The system is free of dirt and soiling (in particular metal chips).

Functional test after assembly and connection of the RSS260 ...F0/-F1

All safety guards must be closed prior to the start of the functional test. The feedback circuit must be opened. ¹⁾

No.	Action to test the operation	Reaction RSS260 F0 version	Reaction RSS260 F1 version
1	Switch on the operating voltage	The yellow LED flashes at 5 Hz and the relays are disabled.	The yellow LED flashes at 5 Hz and the relays are disabled.
2	Close the feedback circuit: actuate the connected button ²⁾	The yellow LED is on and both connected relays are enabled	No change compared to 1
3	Only version F1: reset button actuation	No change compared to 2	The yellow LED is on and both connected relays are enabled

¹⁾ If no button is used, the feedback circuit must be opened by loosening the cable. To that effect, the voltage must be switched off.

²⁾ If no button is used, the feedback circuit must be closed by reconnecting the cable. To that effect, the voltage must be switched off.

With the F1 function, the button monitored for the trailing edge must be pressed.

A non-monitored button integrated into the feedback circuit with function F0 is already effective on closing.

EMERGENCY STOP switching elements integrated into a series circuit can be monitored by the Q function of the last sensor in the chain. This monitors the simultaneous shutdown of its safety inputs and closes the safety outputs in the event of deviations greater than 500 ms. A malfunction in the chain detected in this way must be rectified immediately. Release is only then possible after the error has been acknowledged. The error will remain saved even in the event of a power interruption. The error must be acknowledged via the negative edge of an acknowledgement button connected to PIN 8 or via the serial diagnostic cable.

Additionally, a reset button must be provided for in the event of integration of EMERGENCY STOP switching elements as after withdrawal of an EMERGENCY STOP command, no automatic restart of the machine is permissible.

According to the test interval outlined in the chapter Maintenance, the EMERGENCY STOP switching elements monitored in this way satisfy the requirements to PL e.

7.2 Maintenance

In the case of correct installation and adequate use, the safety sensor features maintenance-free functionality.

A regular visual inspection and functional test, including the following steps, is recommended:

1. Check the fitting and integrity of the safety sensor, the actuator and the cable.
2. Remove possible metal chips.



Adequate measures must be taken to ensure protection against tampering either to prevent tampering of the safety guard, for instance by means of replacement actuators.



EMERGENCY STOP switching elements integrated into a series circuit with Q monitoring must have their function checked manually on a regular basis.

An annual inspection is sufficient for a typical Cat. 3/PL d application. A monthly inspection is required for a typical Cat. 4/PL e application.

Damaged or defective components must be replaced.

8. Disassembly and disposal

8.1 Disassembly

The safety switchgear must be disassembled in a de-energised condition only.

8.2 Disposal

The safety switchgear must be disposed of in an appropriate manner in accordance with the national prescriptions and legislations.

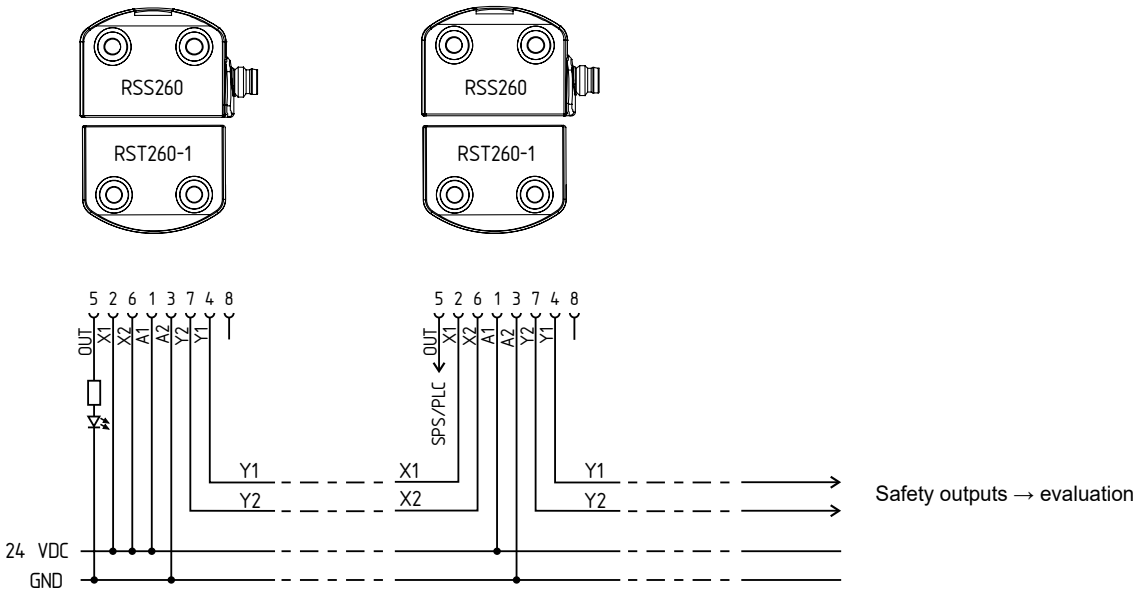
9. Appendix

9.1 Wiring examples

The application examples shown are suggestions. They however do not release the user from carefully checking whether the switchgear and its set-up are suitable for the individual application.

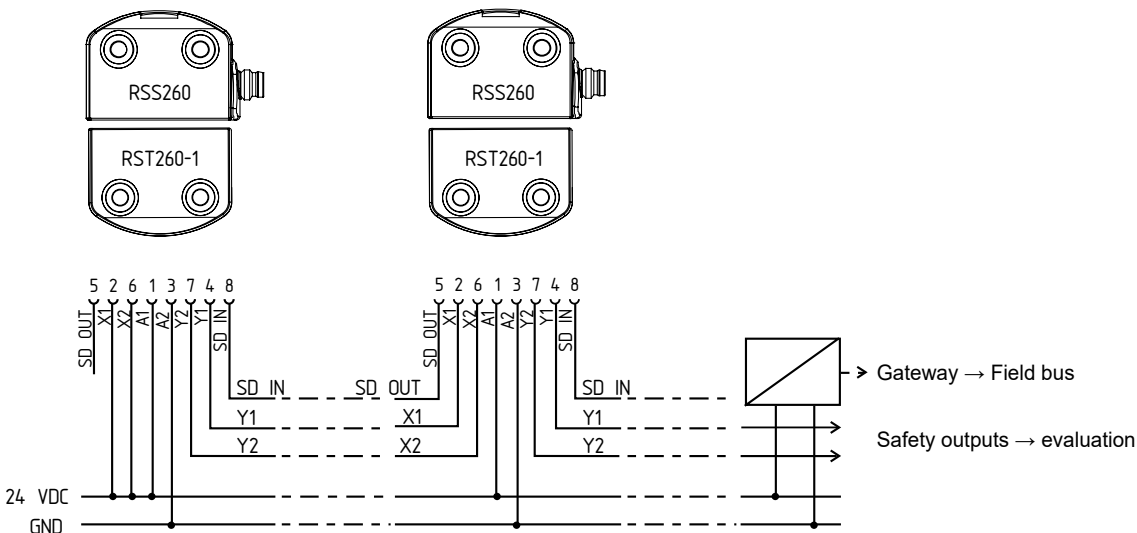
Wiring example 1: Series-wiring of the RSS 260 with conventional diagnostic output

The voltage is supplied to both safety inputs of the last safety sensor of the chain (considered from the safety-monitoring module). The safety outputs of the first safety sensor are wired to the safety-monitoring module. The diagnostic output can be connected for instance to a PLC.



Wiring example 2: Series-wiring of the RSS 260 with serial diagnostic function

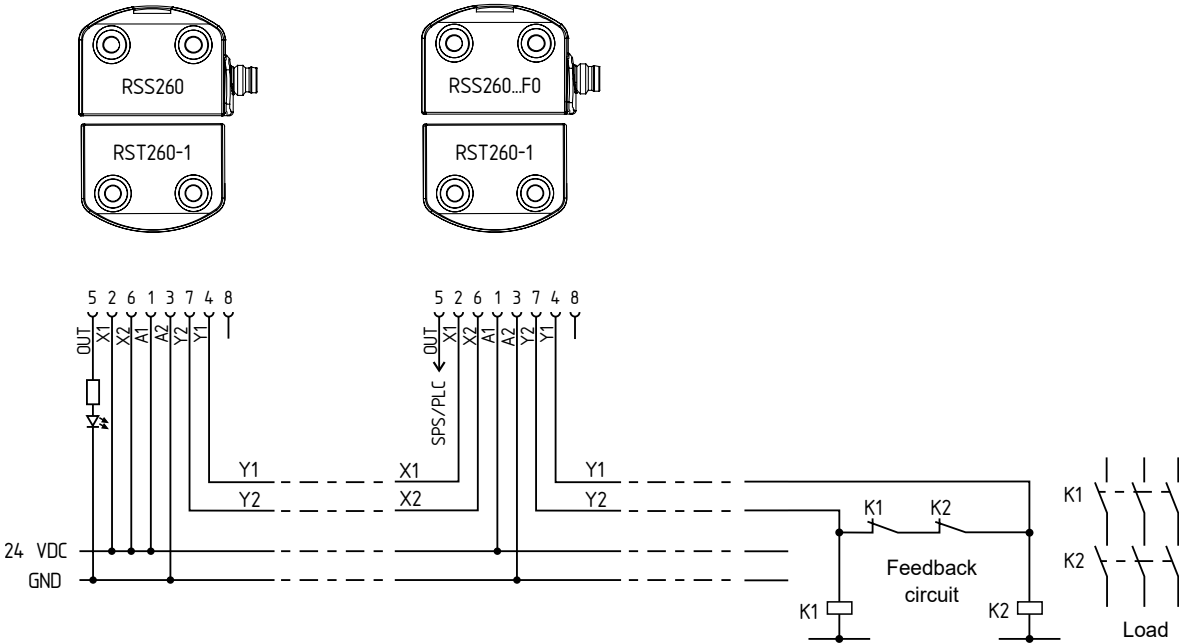
The voltage is supplied to both safety inputs of the last safety sensor of the chain (considered from the safety-monitoring module). The safety outputs of the first safety sensor are wired to the safety-monitoring module. The serial Diagnostic Gateway is connected to the serial diagnostic input of the first safety sensor.



Wiring example 3:
Series-wiring with RSS260...F0

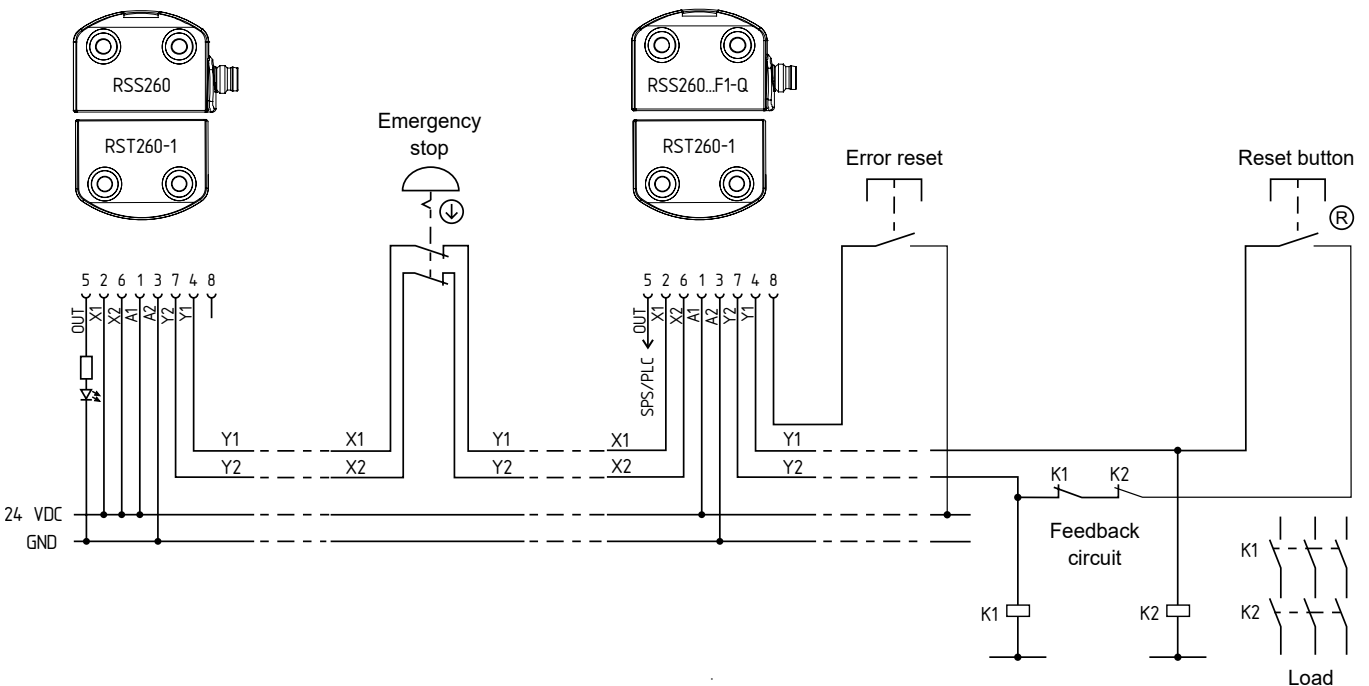
The safety sensor RSS260...F0 directly controls positive-action auxiliary contactors or relays. The monitoring of the external contactors or relays is enabled by the feedback circuit, which is built by the NC contacts of K1, K2. As no further button is used, the auxiliary contactors or relays are immediately enabled when the safety guard is closed. This kind of automatic reset is permissible only if a hazard from the machine starting up can be ruled out.

The feedback circuit can be extended by an enabling button. The sensor is switched on, as soon as the enabling button is pressed. The set-up is shown in the F1-type wiring examples. The internal safety-monitoring module of variant F0 is not equipped with an edge detection for the button. If required, a "manual reset" to EN ISO 13849-1 must be realised by other components of a local control system.



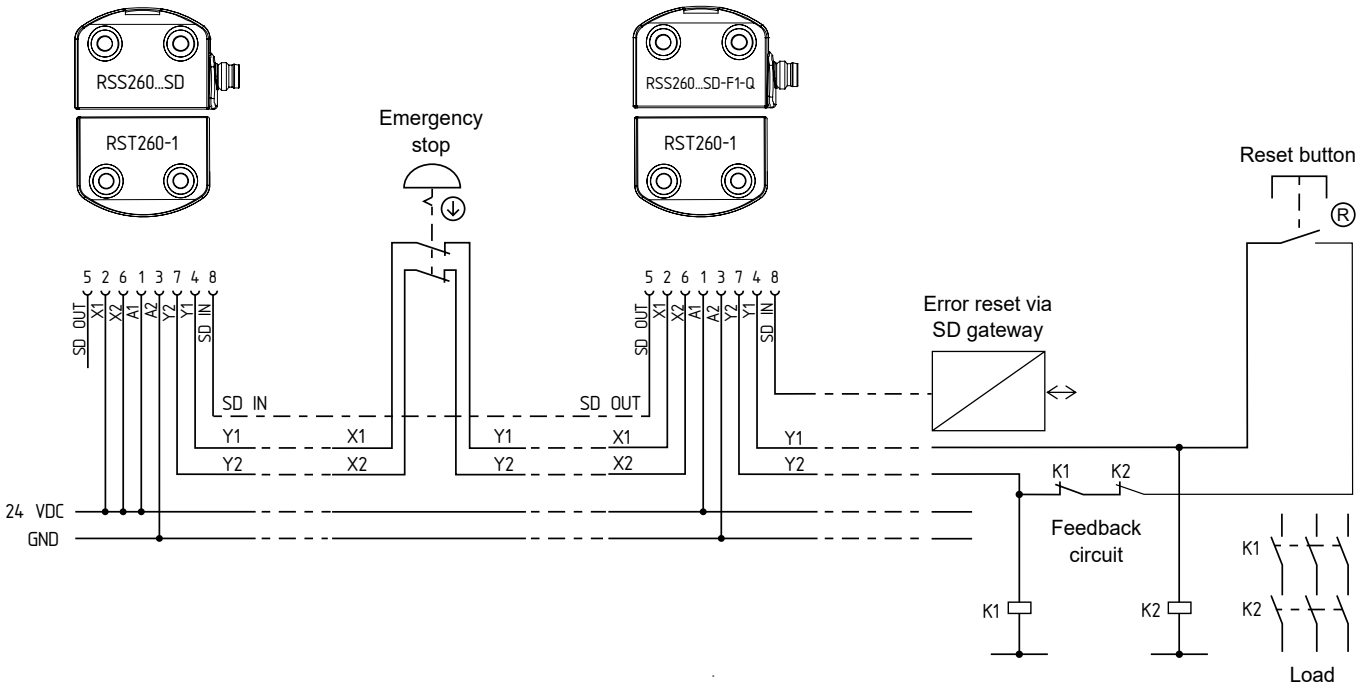
Wiring example 4:
Series wiring with RSS260...F1-Q as master with EDM

The safety sensor RSS260...F1 directly controls positive-action auxiliary contactors or relays. The F1 function also monitors a trailing edge of the reset button in addition to the feedback contacts. The sensor switches on when the button is released. It can be used for manual reset on safety guards, which can be stepped over. The protected area must be designed so that a single reset button suffices. The Q function monitors EMERGENCY STOP buttons integrated into the chain and requires a separate error acknowledgement button.



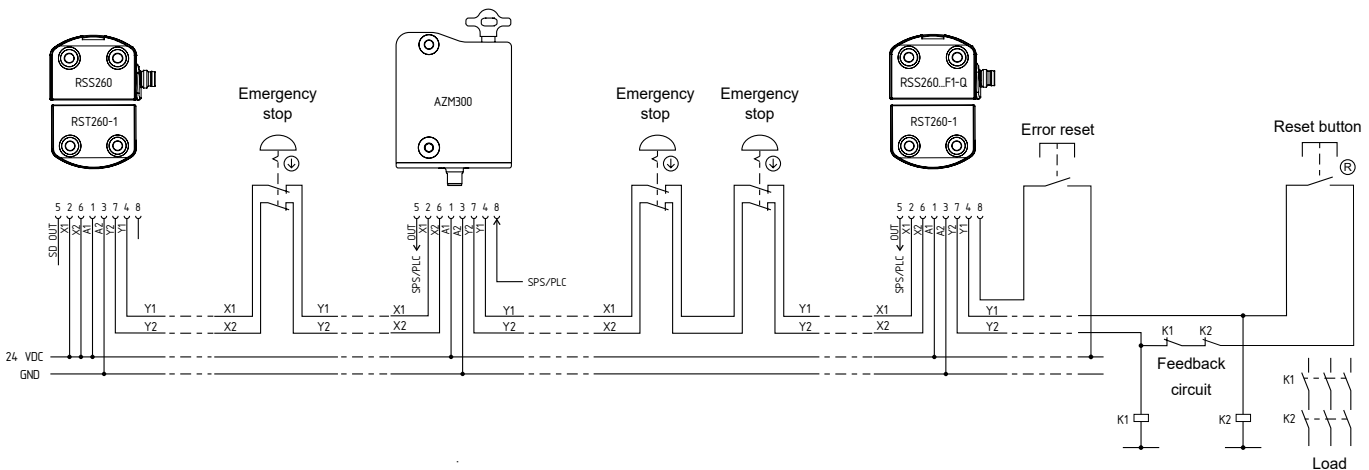
Wiring example 5:
Series wiring with RSS260...SD-F1-Q as master with EDM and serial diagnostics

The safety sensor RSS 260...F1 directly controls positive-action auxiliary contactors or relays. The F1 function also monitors a trailing edge of the reset button in addition to the feedback contacts. The sensor switches on when the button is released. It can be used for manual reset on safety guards, which can be stepped over. The protected area must be designed so that a single reset button suffices. The Q function monitors the EMERGENCY STOP buttons integrated into the chain. In the event of erroneous EMERGENCY STOP signals, a discrepancy error reset must be carried out via the serial diagnostic channel.



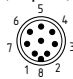
Wiring example 6:
Series wiring RSS260 ...F1-Q with mixed components

The safety sensor RSS260...F1 directly controls positive-action auxiliary contactors or relays. The F1 function also monitors a trailing edge of the reset button in addition to the feedback contacts. The sensor switches on when the button is released. It can be used for manual reset on safety guards, which can be stepped over. The protected area must be designed so that a single reset button suffices. The Q function monitors EMERGENCY STOP buttons integrated into the chain and requires a separate error acknowledgement button.

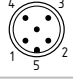


9.2 Wiring configuration and connector accessories

- For sensor versions with integrated connecting cable or 8-pin connector

Function safety switchgear		Pin assignment of connector plug M8/M12, 8-pole, A-coded 	Colour code of the integrated connecting cable or the Schmersal connector to DIN 47100	poss. colour code of other commercially available connectors according to EN 60947-5-2	
with conventional diagnostic output	with serial diagnostic function				
A1	U _e		1	WH	BN
X1	Safety input 1		2	BN	WH
A2	GND		3	GN	BU
Y1	Safety output 1		4	YE	BK
OUT	Diagnostic output	SD output	5	GY	GY
X2	Safety input 2		6	PK	PK
Y2	Safety output 2		7	BU	VT
IN	without function/ with Q option: error acknowledgement	SD input	8	RD	OR

- For sensor versions with 5-pin connector

Function safety switchgear		Pin assignment of connector plug M12, 5-pole, A-coded 	poss. colour code of other commercially available connectors according to EN 60947-5-2		
A1	U _e			1	BN
Y2	Safety output 2		2	WH	
A2	GND		3	BU	
Y1	Safety output 1		4	BK	
OUT	-	Diagnostic output	5	GY	For internal purposes only, external signals are ignored

Connecting cables (PUR) with coupling (female), IP67, M8, 8-pole, 8 x 0.25 mm², straight

Cable length	Part number
2 m	103003638
5 m	103003639
10 m	103003640

Connecting cables (PUR) with coupling (female) IP67 / IP69, M12, 5-pin, 8 x 0.23 mm², straight

Cable length	Part number
5.0 m	103010816
10.0 m	103010818
15.0 m	103010820


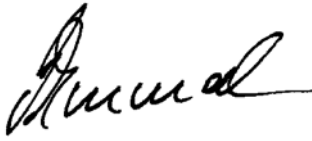
Connecting cables (PUR) with coupling (female), IP67, M8, 8-pole, 8 x 0.25 mm², angled

Cable length	Part number
2 m	103003641
5 m	103003642
10 m	103003643

Connection adapter (PUR) M8 coupling M12 connector, IP67, 8-pole, 8 x 0.25 mm²

Cable length	Part number
2 m	103003645

10. EU Declaration of conformity

EU Declaration of conformity		
Original	K.A. Schmersal GmbH & Co. KG Möddinghofe 30 42279 Wuppertal Germany Internet: www.schmersal.com	
We hereby certify that the hereafter described components both in their basic design and construction conform to the applicable European Directives.		
Name of the component:	RSS260	
Type:	See ordering code	
Description of the component:	Non-contact safety sensor	
Relevant Directives:	2006/42/EC Machinery Directive 2014/53/EU RED-Directive 2011/65/EU RoHS-Directive	
Applied standards:	EN 60947-5-3:2013, EN 300 330 V2.1.1:2017, EN ISO 14119:2013, EN ISO 13849-1:2015, IEC 61508 parts 1-7:2010, EN 62061:2005 + AC:2010 + A1:2013 + A2:2015	
Notified body for the prototype test:	TÜV Rheinland Industrie Service GmbH Am Grauen Stein, 51105 Köln ID n°: 0035	
EC-prototype test certificate:	01/205/5348.03/20	
Person authorised for the compilation of the technical documentation:	Oliver Wacker Möddinghofe 30 42279 Wuppertal	
Place and date of issue:	Wuppertal, January 21, 2020	
		
	Authorised signature Philip Schmersal Managing Director	

RSS260-F-EN



The currently valid declaration of conformity can be downloaded from the internet at products.schmersal.com.

