



EN Operating instructions.pages 1 to 2
Original

Product description

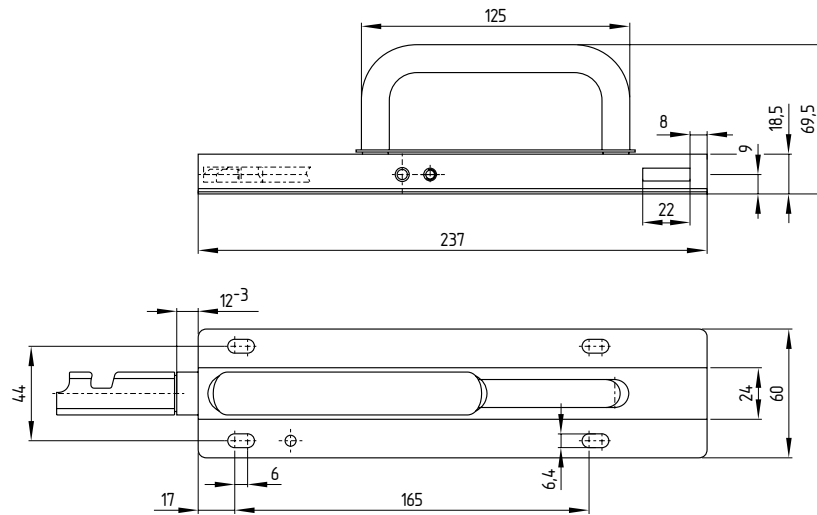
The 415-B4PS actuator is suitable for use with pivoting and sliding safety guards. It is equipped with both a handle and a ball latch.



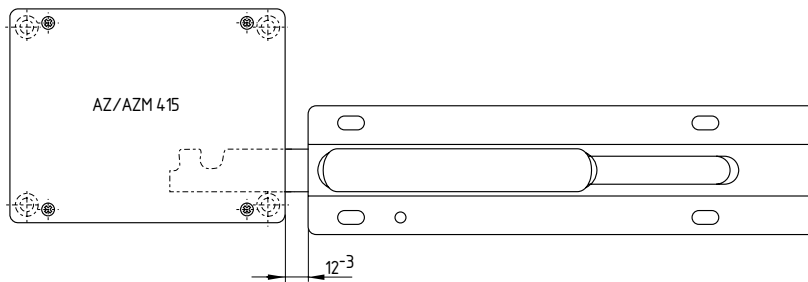
Maintaining a pivot radius is not necessary.
Other handles and levers on the guard system are not required.
The shearing force is 12,500 N.

Actuator AZ/AZM 415-B4PS

Dimensions in mm

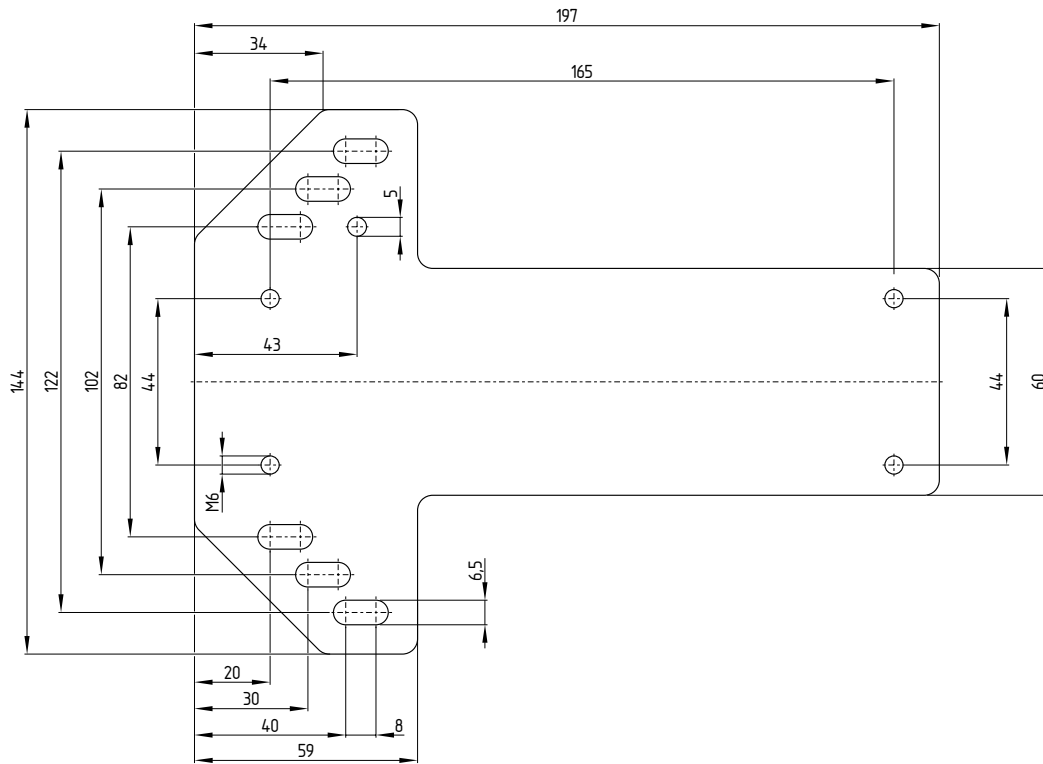


Mounting



Mounting plate MP AZ/AZM 415-B4PS (optional)

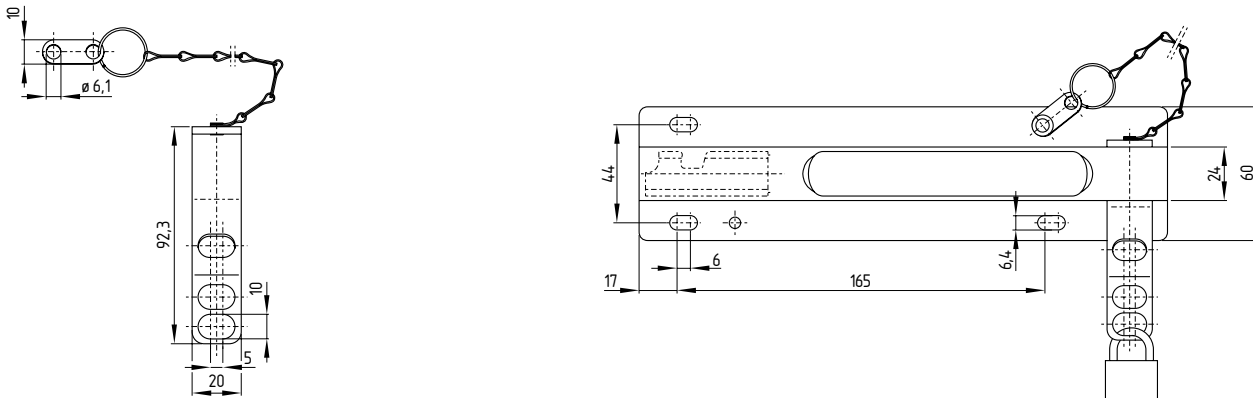
Dimensions in mm



Lockout tag SZ 415-B4PS (optional)

- To prevent inadvertent closing during maintenance, lock with a padlock
- For complex plant
- Prevents actuation of the switch
- With chain to secure against loss
- Chain length 500 mm

Dimensions in mm



K.A. Schmersal GmbH & Co. KG
Mödinghofe 30, D - 42279 Wuppertal
Postfach 24 02 63, D - 42232 Wuppertal

Phone: +49 - (0)2 02 - 64 74 - 0
Telefax: +49 - (0)2 02 - 64 74 - 1 00
E-Mail: info@schmersal.com
Internet: <http://www.schmersal.com>

