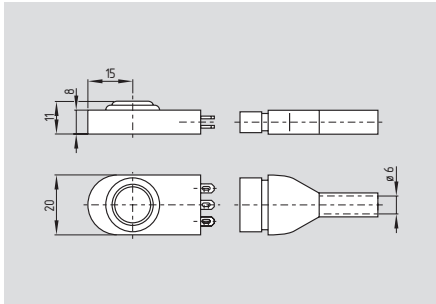


Micro switches

M 660-11-2-y



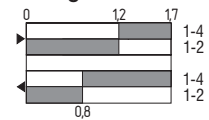
- Rubber enclosure (perbunan)
- Change-over contact, single break
- Snap action with self-cleaning contacts
- - 30 °C ... + 80 °C temperature resistant
- Protection class IP 65

Technical data

Standards:	IEC/EN 60947-5-1
Enclosure:	rubber
Actuator:	thermoplastic
Protection class:	IP 00 to EN 60529
Degree of pollution:	-
Contact material:	silver, 0.3 µm gold flashed
Contact type:	change-over contact, single break
Switching system:	snap action, self-cleaning contacts
Termination:	soldering terminals and 2.8 mm spade terminals
Cable section:	max. 2.5 mm ² (incl. conductor ferrules)
U _{imp} :	4 kV
U _i :	250 V
I _{the} :	4 A
Utilisation category:	AC-15
I _e /U _e :	1 A / 230 VAC
Max. fuse rating:	4 A gL/gG D-fuse
Actuating force:	approx. 2.5 N
Ejection force:	min. 1.3 N
Contact opening:	2 x 0.5 mm
Switchover time:	-
Bounce duration:	-
Ambient temperature:	- 30 °C ... + 120 °C
Mechanical life:	≥ 3 million operations
Switching frequency:	10000/h
Actuating speed:	min. 1 mm/min
Repeat accuracy of switching points:	-

Contact variants

Change-over contact with single break



Approvals



Ordering details

M 660-11-2-y

Note

Version with metal casing, cable and various actuators, see page 1-34.