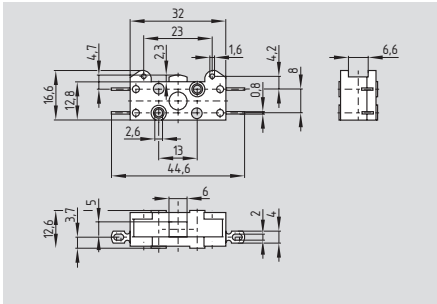
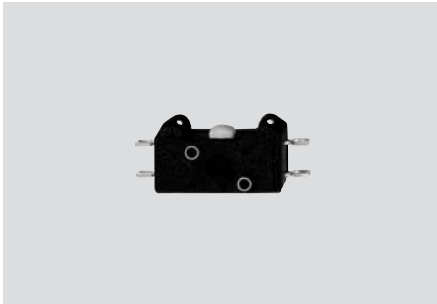


Micro switches

M 6800 / M 6900



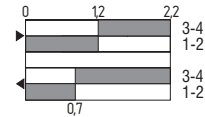
- Thermoplastic enclosure
- Very long life
- Change-over contact, double break
- Snap action
- Soldering, spade or universal terminals
- Suitable for low actuating speeds
- Available with end-position latching and in tandem version
- Various actuators available

Technical data

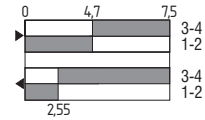
Standards: IEC/EN 60947-5-1
 Enclosure: thermoplastic
 Actuator: thermoplastic
 Protection class: IP 40, terminals IP 00 to EN 60529
 Degree of pollution: 2
 Contact material: silver
 Contact type: M 6800: change-over contact, double break, with galvanically separated contact bridges, same potential
 M 6900: change-over contact, double break, type Za
 Switching system: snap action, self-cleaning contacts
 Termination: soldering, spade or universal terminals
 Cable section: max. 1.5 mm² (incl. conductor ferrules)
 U_{imp}: 2.5 kV
 U_i: 250 V
 I_{the}: 6 A
 Utilisation category: AC-15
 I_e/U_e: 4 A / 230 VAC
 Max. fuse rating: 10 A gL/gG D-fuse
 Actuating force: approx. 4 N
 Ejection force: M 6800: min. 0.8 N
 M 6900: min. 1.3 N
 Contact opening: 2 x 0.5 mm
 Switchover time: ≤ 10 ms
 (with actuating speed 10 mm/min on plunger)
 Bounce duration: M 6800: ≤ 1.5 ms
 M 6900: ≤ 3.0 ms
 Ambient temperature: - 30 °C ... + 85 °C
 Mechanical life: ≥ 30 million operations
 Switching frequency: max. 10000/h
 Actuating speed: M 6800: min. 1 mm/min
 M 6900: min. 10 mm/min
 Repeat accuracy of switching points: M 6800: ± 0.02 mm at plunger
 M 6900: ± 0.05 mm at plunger

Contact variants

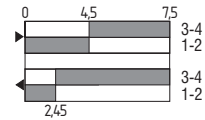
Plunger



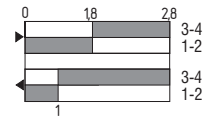
Actuator 80 A



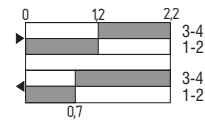
Actuator 80 E



Actuator 80 M



Actuator 80 B 9



Approvals



Ordering details

M ①-11-②-③

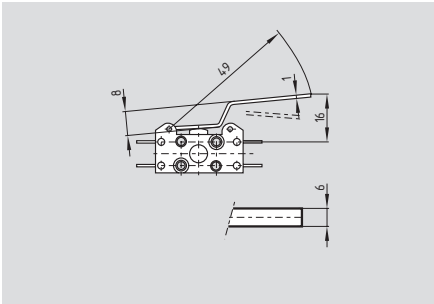
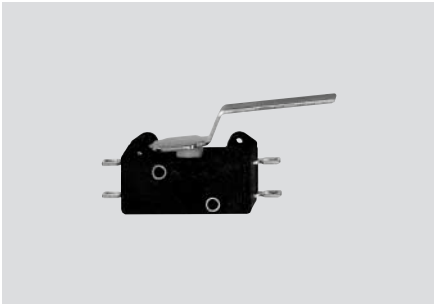
No.	Replace	Description
①	6800	Double leaf-spring system
	6900	C spring system
②	2	Soldering terminal
	3	Spade terminals 6.3 mm
	5	Universal terminal
③		Standard
	P2	At rest in end positions
	P3	Tandem version

Note

Further actuators available on request.

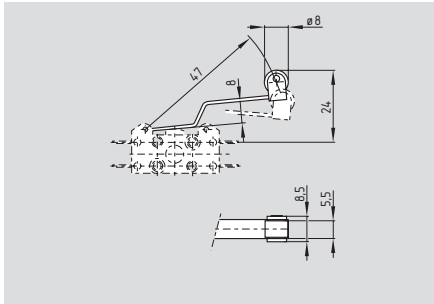
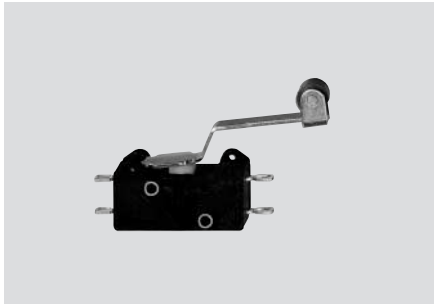
Micro switches

Actuator 80 A



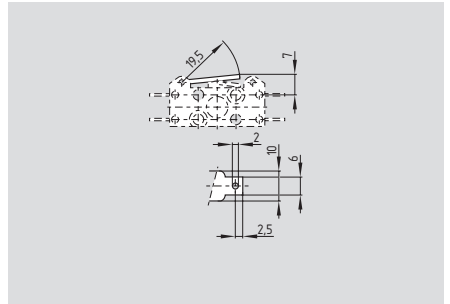
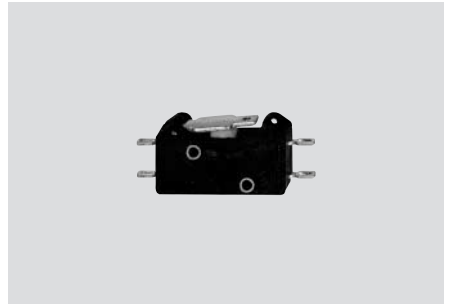
• Actuating force approx. 0.9 N

Actuator 80 E



• Actuating force approx. 0.95 N

Actuator 80 M



• Actuating force approx. 2.4 N

Approvals



Ordering details

M ①-11-②-③-80 A

No.	Replace	Description
①	6800	Double leaf-spring system
	6900	C spring system
②	2	Soldering terminal
	3	Spade terminals 6.3 mm
	5	Universal terminal
③		Standard
	P2	At rest in end positions
	P3	Tandem version

Approvals



Ordering details

M ①-11-②-③-80 E

No.	Replace	Description
①	6800	Double leaf-spring system
	6900	C spring system
②	2	Soldering terminal
	3	Spade terminals 6.3 mm
	5	Universal terminal
③		Standard
	P2	At rest in end positions
	P3	Tandem version

Approvals



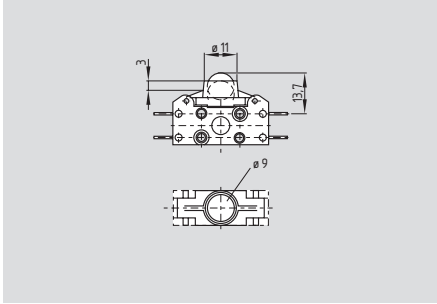
Ordering details

M ①-11-②-③-80 M

No.	Replace	Description
①	6800	Double leaf-spring system
	6900	C spring system
②	2	Soldering terminal
	3	Spade terminals 6.3 mm
	5	Universal terminal
③		Standard
	P2	At rest in end positions
	P3	Tandem version

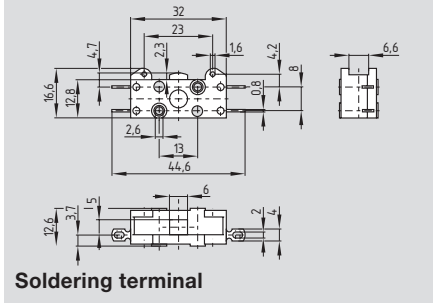
Micro switches

Actuator 80 B 9



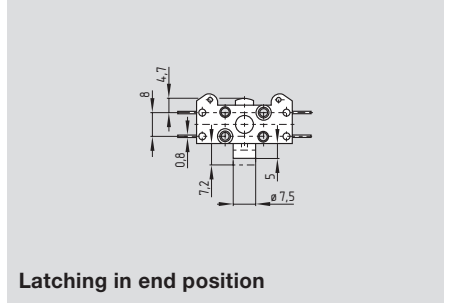
- Actuating force approx. 3.8 N
- Captive stainless steel ball

System components

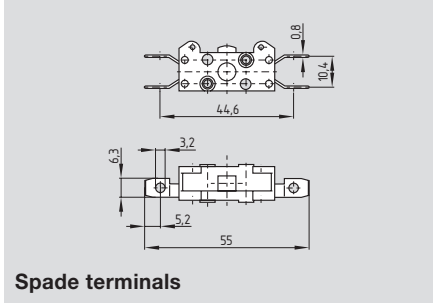


Soldering terminal

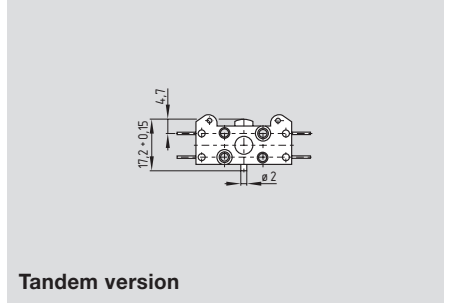
System components



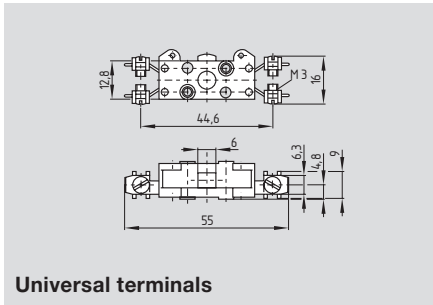
Latching in end position



Spade terminals



Tandem version



Universal terminals

Approvals



Ordering details

M ①-11-②-③-80 B 9

No.	Replace	Description
①	6800	Double leaf-spring system
	6900	C spring system
②	2	Soldering terminal
	3	Spade terminals 6.3 mm
	5	Universal terminal
③		Standard
	P2	At rest in end positions
	P3	Tandem version

Ordering details

Soldering terminal
Spade terminals
Universal terminals

ordering suffix -2
ordering suffix -3
ordering suffix -5

Ordering details

Latching in end position
Tandem version

ordering suffix P2
ordering suffix P3