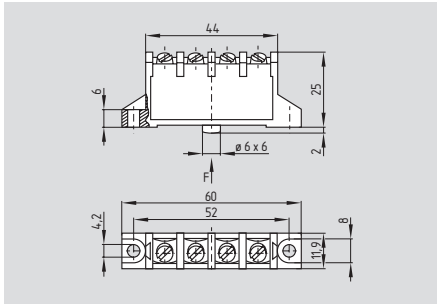


Micro switches

M 687



- Thermoplastic enclosure
- Flat design
- Very long life
- Change-over contact, double break
- Galvanically separated contact bridges
- Snap action with self-cleaning contacts
- Temperature resistant up to + 120 °C
- Screw or spade terminals
- Suitable for low actuating speeds

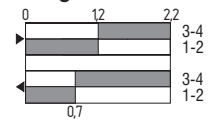
Technical data

Standards: IEC/EN 60947-5-1
 Enclosure: body: pressure-setting plastic
 cover: glass-fibre reinforced thermoplastic
 Actuator: thermoplastic
 Protection class: IP 40, terminals IP 00 to EN 60529
 Degree of pollution: 2
 Contact material: silver, 0.3 µm gold flashed
 Contact type: change-over contact, double break, with galvanically separated contact bridges, same potential
 Switching system: snap action, self-cleaning contacts
 Termination: screw or spade terminals
 Cable section: max. 2.5 mm² (incl. conductor ferrules)
 U_{imp}: 4 kV
 U_i: 250 V
 I_{the}: 6 A
 Utilisation category: AC-15
 I_e/U_e: 2.5 A / 230 VAC
 Max. fuse rating: 10 A gL/gG D-fuse
 Actuating force: approx. 4 N
 Ejection force: min. 0.8 N
 Contact opening: 2 x 0.5 mm
 Switchover time: ≤ 10 ms (with actuating speed 10 mm/min on plunger)
 Bounce duration: ≤ 1.5 ms
 Ambient temperature: - 30 °C ... + 120 °C
 Mechanical life: ≥ 30 million operations
 Switching frequency: 10000/h
 Actuating speed: min. 1 mm/min
 Repeat accuracy of switching points: ± 0.02 mm at plunger

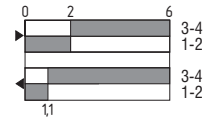
Contact variants

Change-over contact with double break

Plunger



Offset roller lever 8 R



Approvals



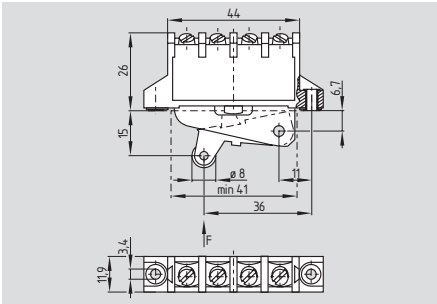
Ordering details

M 687-11-①-②-③

No.	Replace	Description
①	1	Screw terminals
	3	Spade terminals
②		Without terminal cover
	i	With terminal cover
③	AuNi	Gold-nickel contacts

Micro switches

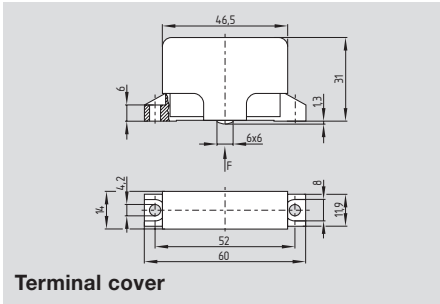
Offset roller lever 8 R



- Plastic roller
- Roller 6.4 mm wide

The roller lever cannot be dismantled.
 On versions with slow action contacts, a minimum play of 0.5 mm is provided between the plunger and operating lever to allow for possible contact wear.

System components



Terminal cover

Approvals



Ordering details

M 687-11-①-②-8 R-③

No.	Replace	Description
①	1	Screw terminals
	3	Spade terminals
②		Without terminal cover
	i	With terminal cover
③	AuNi	Gold-nickel contacts

Ordering details

Terminal cover ordering suffix -i

- Prevents contact with live parts
- Hand and finger guard to VDE 0106-100
- Clips into position