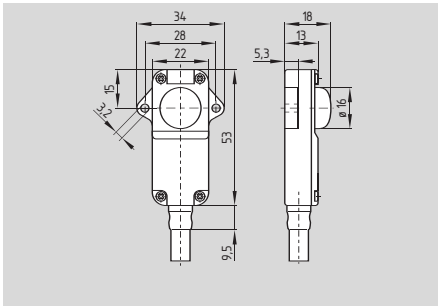


Position and limit switches

M 6610 and 6620



- Thermoplastic enclosure
- Double-insulated □
- M 6610 without mounting flange, M 6620 with mounting flange
- Snap action, change-over contact with single break
- Gold-plated contacts
- Snap action with self-cleaning contacts
- With pre-wired cable 3 x 0.75 mm²
- Protection class IP 67
- Suitable for aggressive environmental conditions
- Good resistance to petroleum spirit and oil
- Flange or central mounting
- Cable length 0.5 m
Other lengths on request.

Technical data

Standards:	IEC/EN 60947-5-1
Enclosure:	glass-fibre reinforced thermoplastic with perbunan gaskets
Hexagon nuts:	M 16 x 1, nickel-plated steel
Protection class:	IP 67 to EN 60529
Contact material:	gold-plated silver
Switching system:	snap action, self-cleaning contacts
Contact type:	change-over contact, single break
Pre-wired cable:	H05VV-F 3 x 0.75 mm ²
U _{imp} :	4 kV
U _i :	250 V
I _{the} :	4 A
I _e /U _e :	1 A / 230 VAC
Utilisation category:	AC-15
Max. fuse rating:	4 A gG D-fuse
Contact opening:	0.35 mm
Ambient temperature:	- 30 °C ... + 80 °C
Mechanical life:	3 million operations
Switching frequency:	30000/h
Actuating speed:	min. 10 mm/min
Repeat accuracy of switching points:	± 0.05 mm

Contact variants

Change-over contact with double break

Approvals



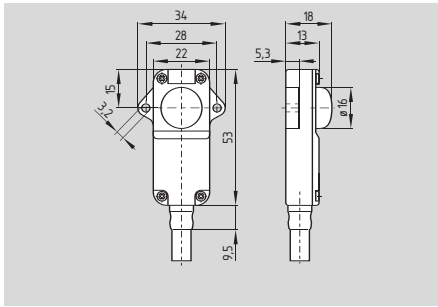
Ordering details

M① 66②0-11-k-z-③

No. Replace	Description
①	For the appropriate actuator: see page 1-39 and following
②	1 Without mounting flange
	2 With mounting flange (only for S)
③	u With roller turned 90° to axis of switch body (only for 2R)

Position and limit switches

Rubber collar S

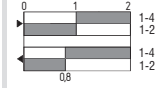


- Thermoplastic enclosure
- M 6610 without mounting flange,
M 6620 with mounting flange

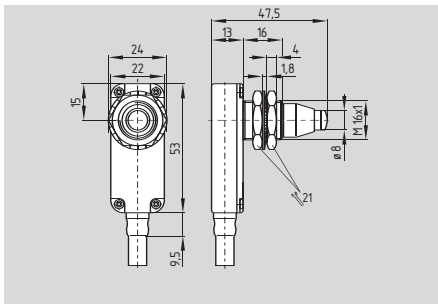
Contact variants

**Contacts/
Switch travel** | Snap action

**Change-over
contact with
double break** | **MS 6610-11-k-z**
MS 6620-11-k-z



Telescopic plunger 1S



- Simple mounting with hexagonal steel nuts
- Large after-travel
- Good adjustment of switching point
- Bellows to protect plunger against soiling

Contact variants

**Contacts/
Switch travel** | Snap action

**Change-over
contact with
double break** | **M1S 6610-11-k-z**

