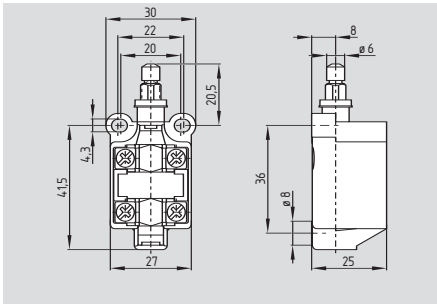


Micro switches

Z/T 232



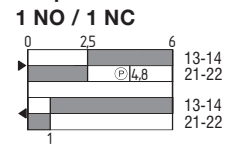
- Thermoplastic enclosure
- 2 contacts
- Snap action, change-over contact with double break, positive break ⊕
- Slow action, change over with double break, positive break ⊕
- Galvanically separated contact bridges
- Screw terminal

Technical data

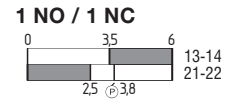
Standards: IEC/EN 60947-5-1
 Enclosure: glass-fibre reinforced thermoplastic
 Actuator: glass-fibre reinforced thermoplastic
 plunger: stainless steel
 Protection class: IP 40, terminals IP 00 to EN 60529
 Degree of pollution: 3
 Contact material: silver
 Contact type: change-over contact, double break, galvanically separated contact bridges
 Switching system: slow or snap action, positive break
 NC contacts ⊖
 Termination: screw terminals
 Cable section: max. 2.5 mm² (incl. conductor ferrules)
 U_{imp}: 6 kV
 U_i: 500 V
 I_{the}: 10 A
 Utilisation category: AC-15
 I_e/U_e: 4 A / 230 V
 2.5 A / 400 V
 1 A / 500 V
 Max. fuse rating: 6 A gG D-fuse
 Actuating force: 9 N
 Ejection force: -
 Contact opening: Z 232 = 2 x 2 mm
 T 232 = 2 x 3.5 mm
 Switchover time: Z 232: ≤ 5 ms
 T 232: -
 Bounce duration: Z 232: ≤ 3 ms
 T 232: -
 Ambient temperature: - 30 °C ... + 80 °C
 Mechanical life: ≥ 20 million operations
 Switching frequency: max. 5000/h
 Actuating speed: Z 232: 10 mm/min
 T 232: min. 60 mm/min
 Repeat accuracy of switching points: -

Contact variants

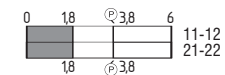
Snap action



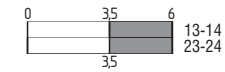
Slow action



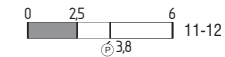
2 NC



2 NO



1 NC



1 NO



Approvals



Ordering details

① S 232-②

| No. | Replace | Description |
|-----|---------|----------------------------|
| ① | Z | Snap action (only for -11) |
| | T | Slow action |
| ② | 11 | 1 NO / 1 NC |
| | 01 | 1 NC |
| | 02 | 2 NC |
| | 10 | 1 NO |
| | 20 | 2 NO |