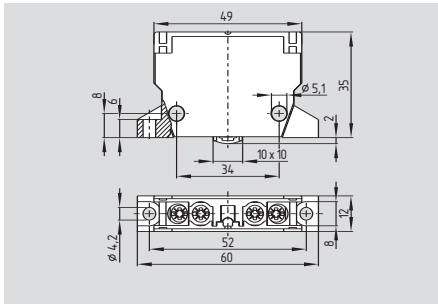


Micro switches

Z/T 6881



- Thermoplastic enclosure
- Long life
- 2 contacts
- Snap action, change-over contact with double break, positive break ⊖
- Slow action, change over with double break, positive break ⊖
- Galvanically separated contact bridges
- Large contact break
- Highly resistant to vibration
- Constant contact pressure up to switching point
- Short contact-bounce duration
- Screw terminals

Approvals



Ordering details

① 6881-11-1-②-③

No.	Replace	Description
①	Z T	Snap action Slow action
②	 P7	Without plunger extended 4 mm With plunger extended 4 mm
③	 i	Without terminal cover With terminal cover

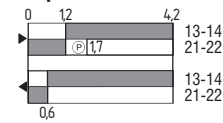
Technical data

Standards: EN 60947-5-1
 Enclosure: glass-fibre reinforced thermoplastic
 Actuator: thermoplastic
 Protection class: IP 40, terminals: IP 00, finger guard to VDE 0106-100, ordering suffix i: IP 20 to EN 60529
 Degree of pollution: 3
 Contact material: silver, contact bridges gold-plated
 Contact type: change-over contact, double break, galvanically separated contact bridges
 Switching system: slow or snap action, positive break NC contacts ⊖
 Termination: screw terminals
 Cable section: max. 2 x 1.5 mm² (incl. conductor ferrules)
 Settle length of the conductor: 6 mm
 U_{imp}: 4 kV
 U_i: 250 V
 I_{the}: 10 A
 Utilisation category: AC-15, DC-13
 I_e/U_e: 2,5 A/230 VAC
 6 A/24 VDC
 at min. 600 mm/min
 Max. fuse rating: 6 A gL/gG D-fuse
 Actuating force: Z 6881-11-1: 20 N, Z 6881-11-1-80R: 12 N, T 6881-11-1: 7 N, T 6881-11-1-80R: 4 N
 Contact opening: Z 6881: 2 x 1.25 mm immediately beyond switching point, 2 x 3.0 mm at full travel
 T 6881: 2 x 3.3 mm at full travel
 Switchover time: Z 6881: ≤ 5 ms
 T 6881: –
 Bounce duration: Z 6881: ≤ 3 ms
 T 6881: –
 Ambient temperature: – 30 °C ... + 85 °C
 Mechanical life: Z 6881: ≥ 1 million operations
 T 6881: ≥ 30 million operations
 Switching frequency: Z 6881: 10000/h
 T 6881: 3000/h
 Actuating speed: Z 6881: min. 1 mm/min
 T 6881: min. 60 mm/min
 Repeat accuracy of switching points: ± 0.02 mm at plunger
 Switching of low voltages: 5 mA/24 VDC

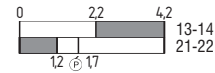
Contact variants

Plunger

Snap action

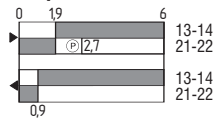


Slow action

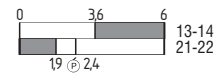


Offset roller lever 80 R

Snap action

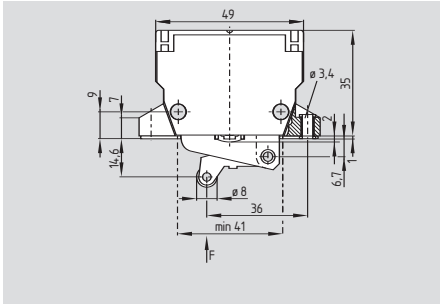


Slow action



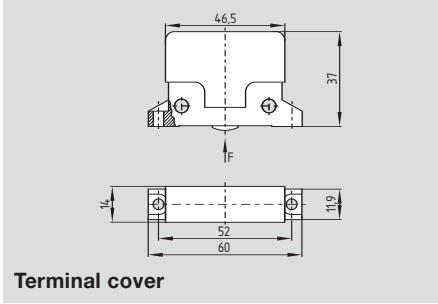
Micro switches

Offset roller lever 80 R



- Plastic roller
- Roller 6.4 mm wide

System components



Terminal cover

Approvals



Ordering details

① 6881-11-1-80 R-②

No.	Replace	Description
①	Z	Snap action
	T	Slow action
②		Without terminal cover
	i	With terminal cover

Ordering details

- Terminal cover** **ordering suffix -i**
- Prevents contact with live parts
 - Hand and finger guard to VDE 0106-100
 - Clips into position