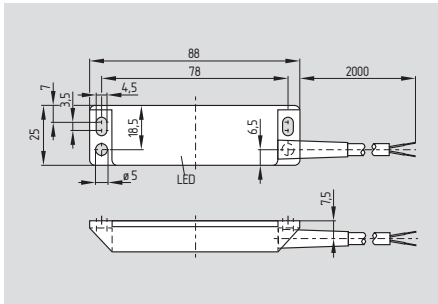


BNS 33 AS



- Safety sensor
- Integrated AS-Interface
- AS-Interface LED status display
- Available with M12 plug-in connector and pre-wired cable
- Thermoplastic enclosure
- Coded actuator
- Long life, no mechanical wear
- Insensitive to transverse misalignment
- Concealed mounting possible
- Insensitive to soiling
- Protection class IP 67

Technical data

Standards: EN 50295
EN 60947-5-1
EN 954-1

Enclosure: glass-fibre reinforced thermoplastic

AS-Interface connection type: cable LSYY (black)

Cable section: 2 x 0.24 mm²

Protection class: IP 67 to EN 60529

AS-Interface operating voltage: 26.5 ... 31.6 VDC, via AS-Interface, reverse-polarity proof

AS-Interface operating current: ≤ 50 mA

AS-Interface specification: (V 2.1)

Profile: S-0.B

IO-Code: 0x0

ID-Code: 0xB

ID-Code1: 0xF

ID-Code2: 0xE

Inputs:

Contact	Status	Data bits
1	on	D0/D1 = dynamic code transmission
1	off	D0/D1 = static code "00"
2	on	D2/D3 = dynamic code transmission
2	off	D2/D3 = static code "00"

Parameter bits: P0 ... P3 not used

Input module address: default on address 0, programmable via the AS-Interface Master or Hand-held programming device

Indications: AS-Interface: voltage LED green, communication LED red

Enabling status: LED yellow

Mode of operation: magnetic

S_{ao}: 5 mm

S_{ar}: 15 mm

Repeat accuracy: R ≤ 0,1 x S_{ao}

Switching frequency f: < 1 Hz

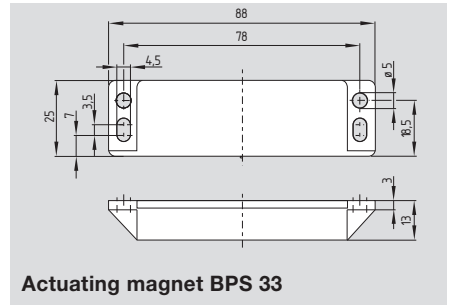
Actuating magnet: BPS 33, coded

EMC rating: conforming to EMC Directive

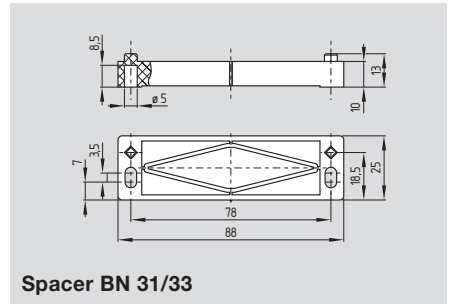
Ambient temperature: -25 °C ... +70 °C

Storage and transport temperature: -25 °C ... +85 °C

System components



Actuating magnet BPS 33



Spacer BN 31/33

Approvals



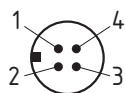
Ordering details

BNS 33①-AS

No.	Replace	Description
①	STG	2 m cable
	STW	2 m cable with straight plug M12
	STW	2 m cable with angled plug M12

Note

A separate address jack is not available as an option. The addressing must take place via the cable end or the M12 connector.



1: AS-i +
2: spare
3: AS-i -
4: spare

Ordering details

Actuating magnet **BPS 33**
Spacer **BN 31/33**

The actuators for the safety sensors must be ordered separately.