

Output expander

AZR 63 V2



- Expander module for contact expansion
- 6 enabling paths, Stop 1 (Drop-out delay 0 ... 30 s)
- Drop-out delay can be set between 0 to 30 s in 2 second steps
- 3 potential-free indication contacts:
 - 1 undelayed NO contact,
 - 2 delayed NC contacts in series,
 - 2 NC contacts in parallel
- Available for various operating voltages
- LEDs to show operating conditions
- Removable terminal block
- Control category 4 to EN 954-1 depending on the used safety relay module

Technical data

Standards:	IEC/EN 60204-1, EN 954-1, BG-GS-ET-20
Stop category	6x Stop 1
Control category:	max. 4 (depending on the connected safety relay module)
Drop-out delay:	0 ... 30 s
Enclosure:	polycarbonate
Connection:	plug-in, screw terminals
Cable section:	max. 2.5 mm ² (incl. conductor ferrules)
Protection class:	terminals IP 20 enclosure IP 40 to EN 60529
U _e :	24 VDC
	24 VAC
	110 VAC ± 15 %
	230 VAC ± 15 %
Power consumption:	< 3 W
Inputs:	S13/14 and S23/24 potential-free NC contacts
Enabling contacts:	6 enabling paths, delayed
Utilisation category:	AC-15, DC-13
Switching capacity:	6 A / 250 VAC
	3 A / 24 VDC
Fuse rating:	6 A gG D-fuse
Signalling output:	1 NC contact, delayed; 1 NO contact
Switch-on time:	< 30 ms ... max. 3 s
Switch-off time:	< 150 ms ... max. 30 s (setting in 2 second steps)
Indications:	green LED's for control voltage and output
Max. switching frequency:	5 Hz
Overvoltage category:	III to DIN VDE 0110
Degree of pollution:	2 to DIN VDE 0110
Ambient temperature:	- 25 °C ... + 45 °C
Function display:	3 LED
Weight:	610 g
Dimensions:	100 x 73.2 x 121 mm

Approvals



Ordering details

AZR 63 V2 ①

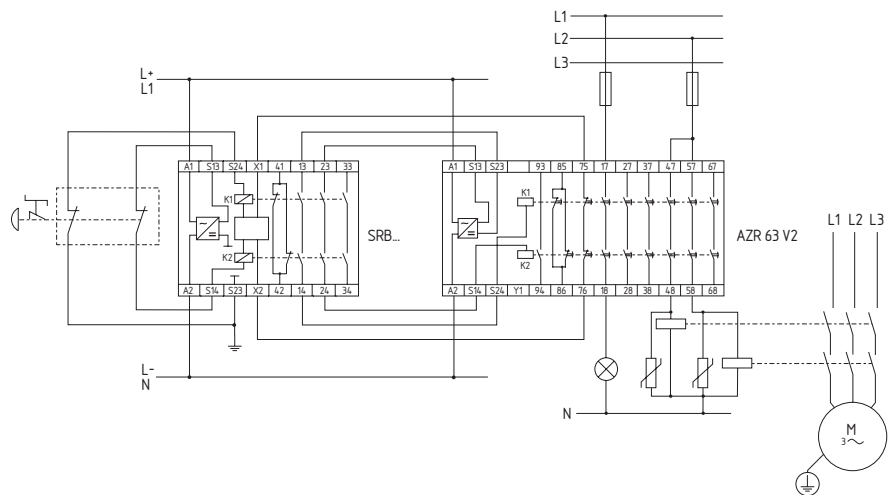
No.	Replace	Description
①	24VDC	24 VDC
	24VAC	24 VAC
	110VAC	110 VAC
	230VAC	230 VAC

Output expander

Note

- Power level: 1-channel control of the expander module is suitable for contact reinforcement or multiplication of the connected safety relay module.
- Terminals 75 and 76 of the expander module must be connected to the feedback circuit or reset circuit of the safety relay module.

Wiring diagram



Note

The wiring diagram shows the control of the expander module by a SRB... safety relay module with the guard doors closed and in de-energised condition.