



EN Operating instructions. page 1
Original

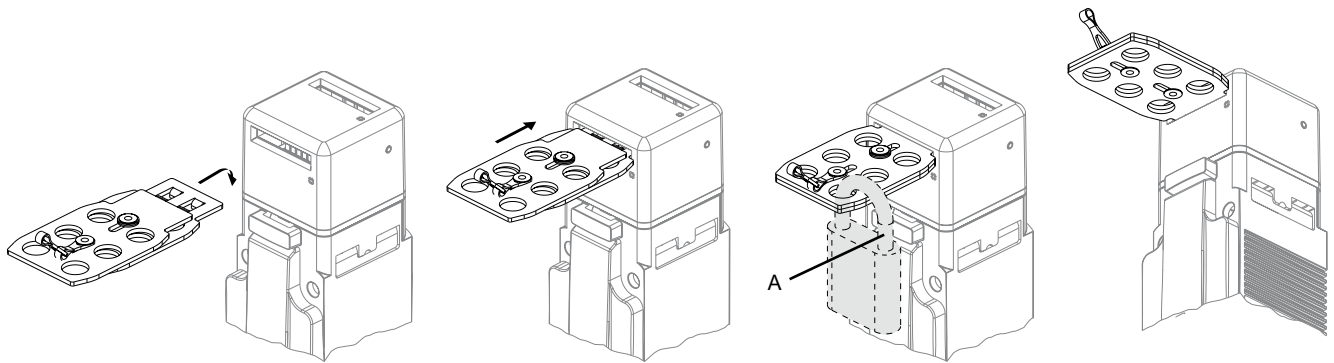
Purpose

On accessible protective equipment, the lockout tag prevents persons from being inadvertently being trapped.
When accessing the hazardous area, the operating or service staff fixes a padlock to the lockout tag.

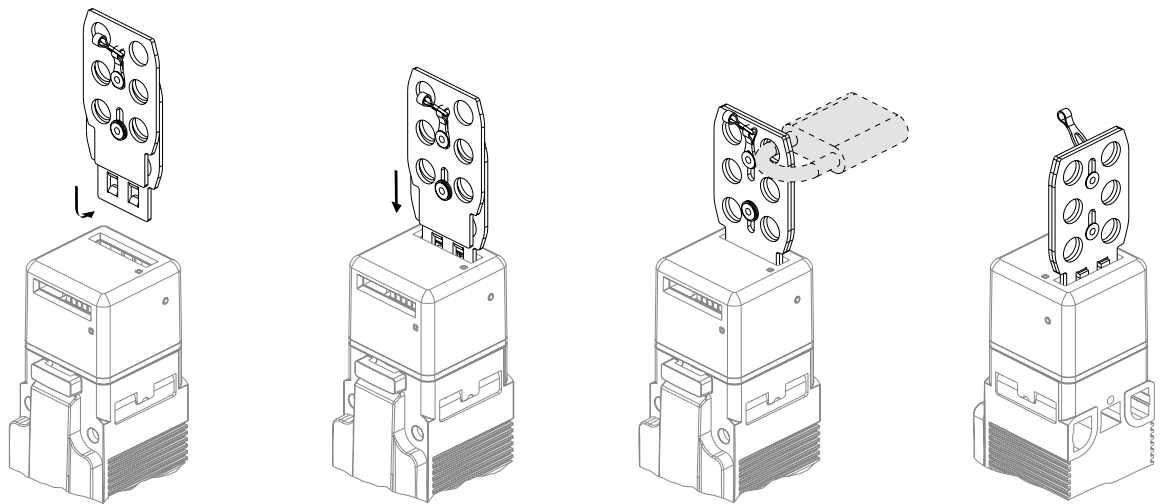
Application

1 to 6 padlocks (not included in delivery) with a maximum shackle diameter of 8 mm can be fixed.
In this way, the door of the guard system cannot be closed and accidental start of the machine is prevented.
The lockout tag can be fixed with a chain close to the safety switch

AZM150



The lockout tag including locking latch pair must insert fully into the actuator opening.



When the lockout tag is inserted into the actuator opening from above, the rear locking latches remain visible.

Key
A Ø max. 8 mm

K.A. Schmersal GmbH & Co. KG
Mödinghofe 30, 42279 Wuppertal
Germany
Phone: +49 202 6474-0
Telefax: +49 202 6474-100
E-Mail: info@schmersal.com
Internet: www.schmersal.com

Production site:
SCHMERSAL
Industrial Switchgear (Shanghai) Co., Ltd.
Cao Ying Road 3336
201712 Shanghai / Qingpu, P.R.CHINA

施迈赛工业开关制造（上海）有限公司
地址：上海市青浦区漕盈路3336号
邮编：201712

Phone: +86 21 63758287
Fax: +86 21 69214398
E-Mail: info@schmersal.com.cn
Internet: www.schmersal.com.cn

电话：021 63758287
传真：021 69214398

网址：www.schmersal.com.cn

