



EN Operating instructions. . . . . Pages 1  
Original

**Product description**

**Type code**

**DHS-150-BKBU-①**

No.	Option	Description
①	L	Left-hinged door
	R	Right-hinged door

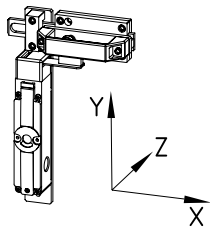
**Purpose**

The DHS-150 door handle system is suitable for use with the AZM150 solenoid interlock as a rotatable protective device. The protective device can be opened and closed from outside with a pulling motion on the door handle. In the open position, the door handle engages in the end position of the open door bolt.

The door bolt (E, see dimensions) may not be locked with a padlock or similar fixture when closed (otherwise, people within would no longer be able to leave the hazardous area).

The door handle system is not applicable for emergency exit application.

The minimum radius of a rotating door is 400 mm.  
**Assumptions:**  
- 40 mm profile  
- 15 mm distance between solenoid interlock and door handle system  
- Use of standard hinge for 40 mm profiles



**Tolerances between solenoid interlock and actuator**

- X = ±5 mm
- Y = ±0.5 mm
- Z = ±1 mm

Any unauthorised repairs, conversions or changes are not permitted for reasons of safety and the manufacturer shall accept no liability for resulting damage.

**Assembly**

**General assembly instructions**

Assembly may only be carried out by authorised specialist personnel.

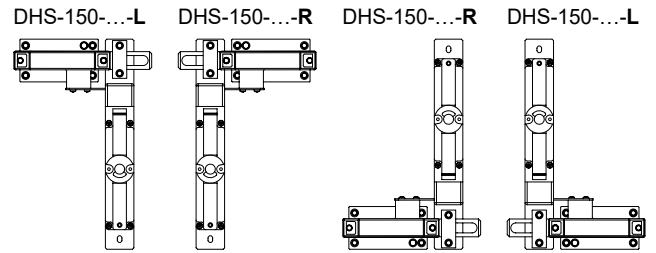
**Installation variants**

The DHS-150 door handle system may only be used for attachment outside of the hazardous area.

**Outside attachment**

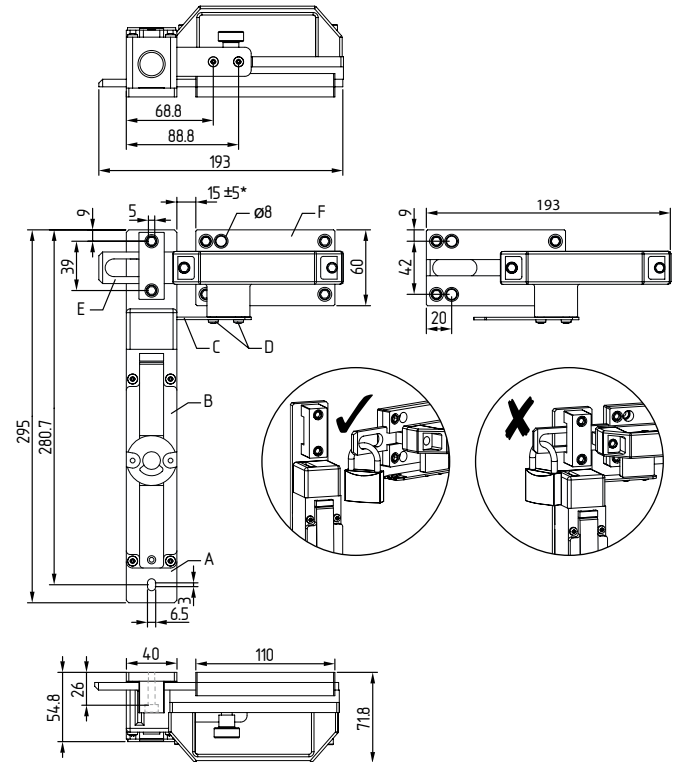


**Permissible assembly arrangements**



**Dimensions**

All dimensions in mm.



**Key**

- A = AZM150 assembly plate (included)
- B = AZM150 solenoid interlock (not included)
- C = AZM150-B1 actuator (to be ordered separately for standard coded AZM150 (Mat.-No.: 153033699) / included in scope of delivery for individually coded AZM150i-...-B1)
- D = Safety screws with one-way slot (included)
- E = Door bolt (closed position)
- F = DHS-150 assembly plate (included)

\* If the distance is ≤10 mm, the door can only be opened outwards.

Only locks with a bow diameter of 5 mm may be used.

**K.A. Schmersal GmbH & Co. KG**  
Mödinghofe 30, 42279 Wuppertal,  
Germany  
Telephone: +49 202 6474-0  
Fax: +49 202 6474-100  
E-mail: info@schmersal.com  
Internet: www.schmersal.com

**Production site:**  
**Schmersal India Private Limited**  
G-7/1, MIDC, Ranjangaon  
Tal. Shirur  
Dist. Pune – 412 220  
Maharashtra  
India  
Internet: www.schmersal.in