



EN Operating instructions ..... page 1  
Original

**Purpose**

The RSS 36 safety sensor can be optionally used on safety guards in combination with the RST-U-2 actuators. The operating instructions of the safety sensor is to be considered. Deviating or additional instructions for assembly position and switching distances are listed below.

**Mounting**

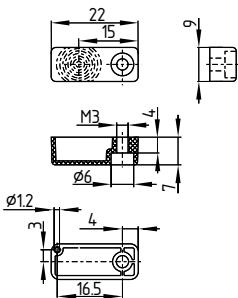


During fitting, the requirements of EN ISO 14119 must be observed.

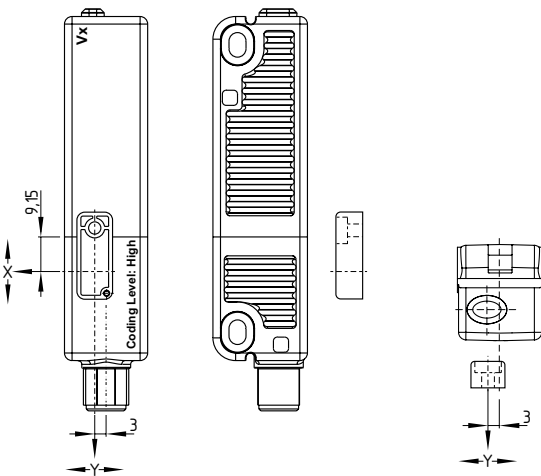
The mounting holes of the RST-U-2 are to be fixed using M3 counter-sunk screws. A 1.2 mm pin into the rear hole of the RST-U-2 prevents twisting, if this cannot be excluded otherwise by mounting. The active areas of the safety sensor and the actuator have to face each other.

**Dimensions Actuator RST-U-2**

All measurements in mm.



**Assembly position**



**Mounting instructions**

When using the RST-U-2 actuator, the operating instructions of the RSS 36 safety sensor is applicable; in addition to that, the following instructions regarding the assembly position and the switching distances must be observed.

**Switching distances to EN 60947-5-3:**

Typical switching distance: 12 mm  
Assured switching distance  $s_{ao}$ : 10 mm  
Assured switch-off distance  $s_{ar}$ : 20 mm

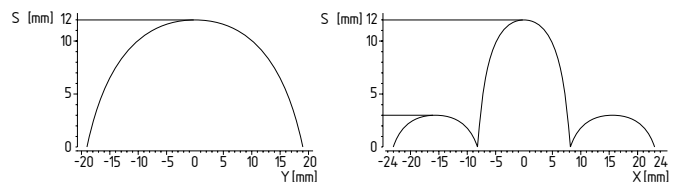


There are new switch distances as per the table below owing to the necessity of technical modifications (as of V2). Please check the design of your guard system following installation to ensure adherence to the secured switch distances ( $\leq s_{ao}$  and  $\geq s_{ar}$ ) in accordance with the specified values and adjust the guard system accordingly. The positions of the designations Vx should be gleaned from the dimensional drawings.

Switching distances in mm to EN 60947-5-3		Actuator RST-U-2
Sensor RSS	$s_{typ}$	12
	$s_{ao}$	10
	$s_{ar}$	18
Sensor RSS as of V2	$s_{typ}$	12
	$s_{ao}$	10
	$s_{ar}$	20

**Actuating curves**

The actuating curves represent the typical switching distance of the safety sensor during the approach of the actuator subject to the actuating direction.



The axial misalignment (Y) is max.  $\pm 18$  mm. The height misalignment (X) is max.  $\pm 8$  mm. Avoid area of side lobes if lateral activated.

More technical information can be found in the Schmersal online catalog on the Internet at [products.schmersal.com](http://products.schmersal.com).

**K.A. Schmersal GmbH & Co. KG**

Mödinghofe 30, 42279 Wuppertal  
Germany  
Phone: +49 202 6474-0  
Telefax: +49 202 6474-100  
E-Mail: [info@schmersal.com](mailto:info@schmersal.com)  
Internet: [www.schmersal.com](http://www.schmersal.com)

