



EN Operating instructions. page 1
Original

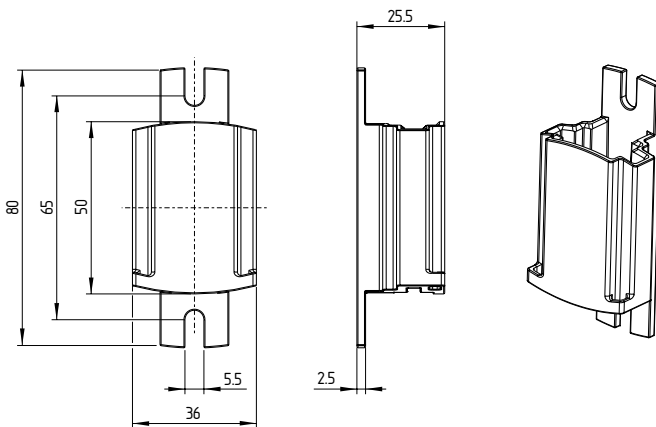
Purpose

On accessible protective equipment, the lockout tag prevents persons from being inadvertently being trapped.
When accessing the hazardous area, the operating or service staff fixes a padlock to the lockout tag. 1 to 6 padlocks (not included in delivery) with a maximum shackle diameter of 6 mm can be fixed.

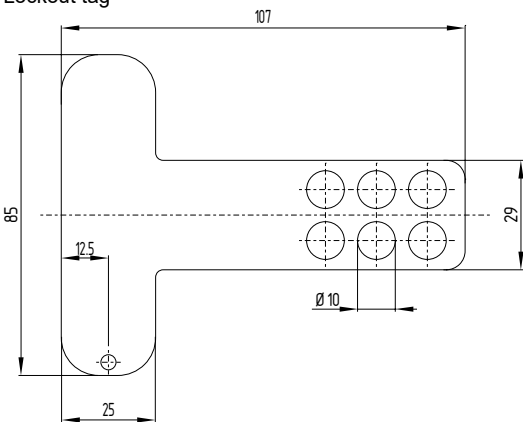
Dimensions

All measurements in mm.

Bracket



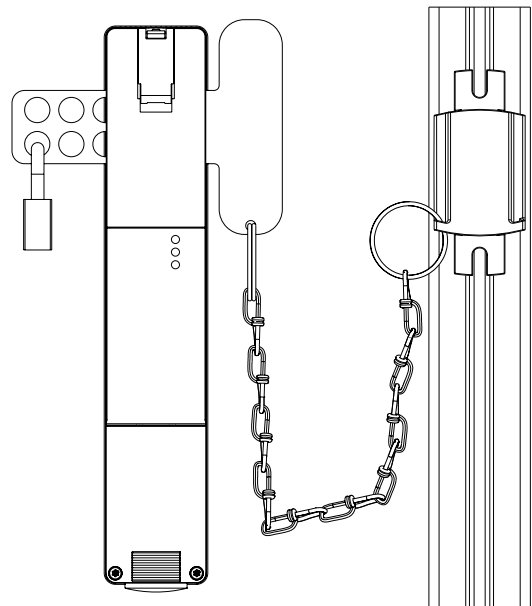
Lockout tag



Application

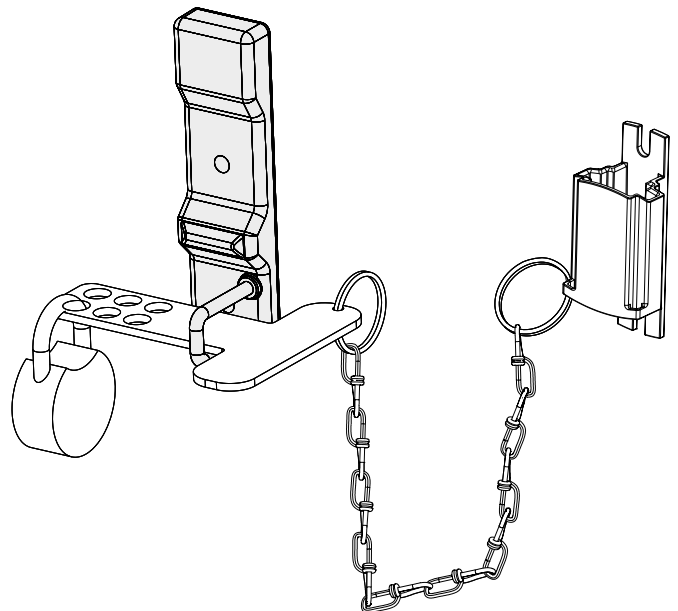
Usage of SZ201-1 with safety switch AZ201 or solenoid interlock AZM201

The lockout tag blocks the insertion hole of the actuator. In this way, the door of the guard system cannot be closed and accidental start of the machine is prevented.



Usage of SZ201-1 with solenoid interlock AZM300

The lockout tag is pushed through the actuator bracket such that the rotary handle cannot be placed in the "Guard system closed" position. In this way, the door of the guard system cannot be closed and accidental start of the machine is prevented.



K.A. Schmersal GmbH & Co. KG
Mödinghofe 30, 42279 Wuppertal
Germany
Phone: +49 202 6474-0
Fax: +49 202 6474-100
E-Mail: info@schmersal.com
Internet: www.schmersal.com