



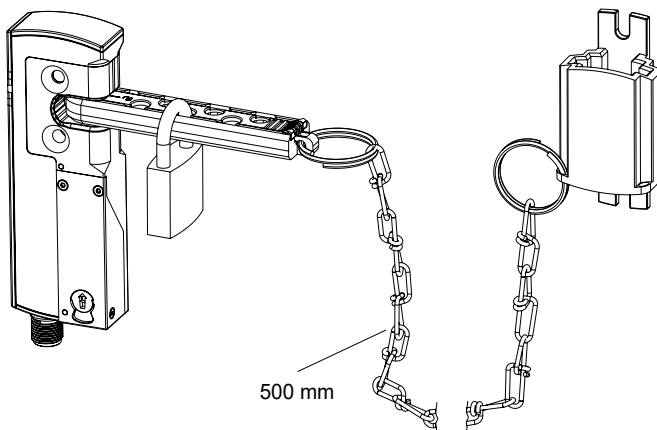
EN Operating instructions. page 1
Original

Purpose

On accessible protective equipment, the lockout tag prevents persons from being inadvertently being trapped. When accessing the hazardous area, the operating or service staff fixes a padlock to the lockout tag.

Application

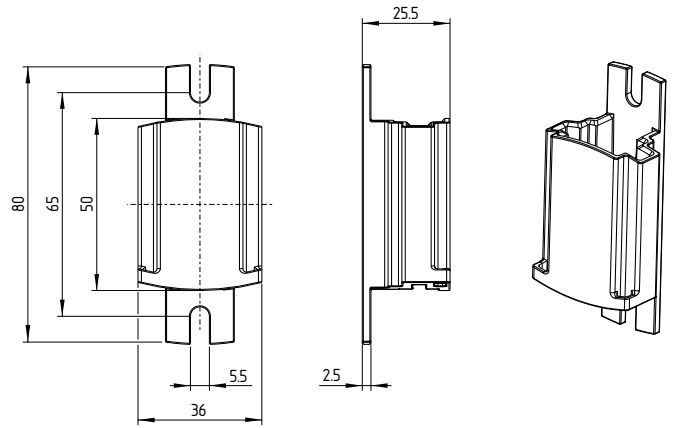
The lockout tag must be inserted into the actuator opening of the AZM40. By pushing in the locking plate, the actuator opening is blocked and the holes of the locking plate and lockout tag housing overlap so that 1 to 6 locks (shackle diameter max. 6 mm) can now be engaged. In this way, the door of the guard system cannot be closed and accidental start of the machine is prevented.



(The padlocks are not included in the delivery.)

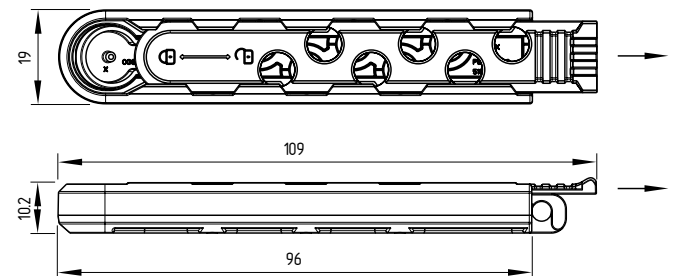
Dimensions (All measurements in mm.)

Bracket

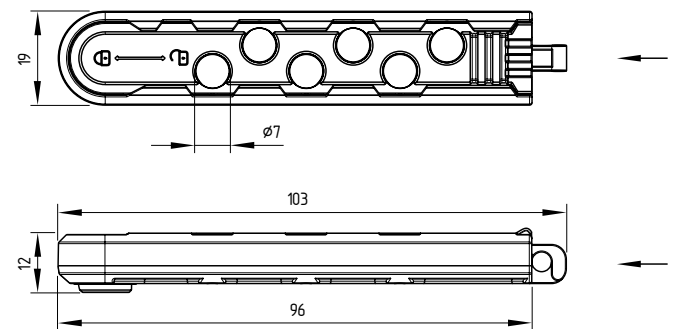


Lockout tag

Lockout tag extended



Lockout tag retracted (overlap of the holes)



K.A. Schmersal GmbH & Co. KG
Mödinghofe 30, 42279 Wuppertal
Germany
Phone: +49 202 6474-0
Telefax: +49 202 6474-100
E-Mail: info@schmersal.com
Internet: www.schmersal.com

