



EN Assembly instructions.pages 1 to 4
 Original

Content

1 Product description

1.1 Muting functions 1

1.2 Muting variants 1

1.3 Ordering code 2

1.4 Included in delivery and spare parts 3

2 Assembly

2.1 Attachment of muting cantilever to SLC/SLG445 sensor profile . . . 4

2.2 Attachment of muting cantilever to SG protective enclosure. . . . 4

2.3 Attachment of muting cantilever to MST mounting stand 4

2.4 Attachment of muting sensors to muting cantilever. 4

2.5 Attachment of reflectors to muting cantilever 4

1. Product description

1.1 Muting functions

The muting sets described here, used in combination with the SLC/SLG 445 safety light curtains/grids, are used to develop different muting applications.

If goods or objects need to be transported into or out of the hazardous zone without stopping the process, the safety light curtain/grid must be automatically and temporarily suspended.

Two independent muting signals are used to differentiate between a person approaching the hazardous zone or a transport system moving into or leaving the hazardous zone.

Suitable muting signals are single beam sensors, proximity switches or position switches.

The integrated muting logic of the light curtain or light grid monitors and controls the correct suspension process.

The safety outputs are not disabled. Depending on the application, light curtains and light grids with different protection field heights and resolutions are available with integrated muting function.

The MCU-02 field distributor with integrated connection cable is available for easy plug and play connection of up to four muting sensors, an additional muting indicator light, an override command device and emitter.

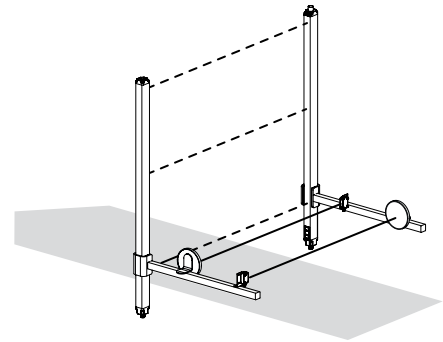
i Detailed information about parameterisation of the different muting functions can be found in the operating instructions for the SLC/SLG 445 safety light curtain/grid.

i The muting sets may only be removed when de-energised, professionally and in accordance with national rules and regulations.

1.2 Muting variants

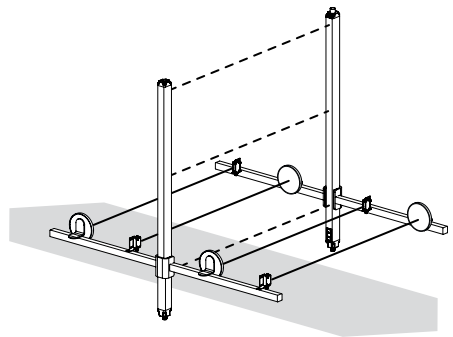
L muting

with 2 muting cantilevers and 2 muting sensors,
 for material transport out of the hazardous zone



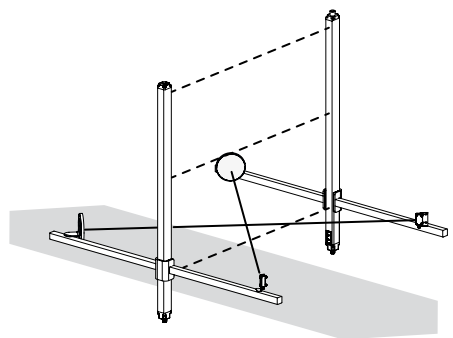
T muting

with 4 muting cantilevers and 4 muting sensors,
 for material transport into and out of the hazardous zone



X muting

with 4 muting cantilevers and 2 muting sensors,
 for material transport into and out of the hazardous zone









1.3 Ordering code

These mounting instructions apply to the following types:

MUT-SET-①















No.	Option	Description
-----	--------	-------------



No.	Option	Description
Muting sets for mounting to SLC/SLG 445 sensor profile or SG protective enclosure		
① L-02	MUT-SET-L-02 (L muting)	103006074
L-SG-01	MUT-SET-L-SG-01 (L muting)	103055493
	<ul style="list-style-type: none"> • 2 muting cantilevers • 2 muting sensors/reflectors • 2 connection cables for muting sensors on the MCU-02 • Muting connection unit MCU-02 • Mounting material and connection cables for emitter and receiver 	
T-02	MUT-SET-T-02 (T muting)	103006076
T-SG-01	MUT-SET-T-SG-01 (T muting)	103055491
	<ul style="list-style-type: none"> • 4 muting cantilevers • 4 muting sensors/reflectors • 4 connection cables for muting sensors on the MCU-02 • Muting connection unit MCU-02 • Mounting material and connection cables for emitter and receiver 	
T-03	MUT-SET-T-03 (X muting)	103009195
T-SG-02	MUT-SET-T-SG-02 (X muting)	103055492
	<ul style="list-style-type: none"> • 4 muting cantilevers • 2 muting sensors/reflectors • 2 connection cables for muting sensors on the MCU-02 • Muting connection unit MCU-02 • Mounting material and connection cables for emitter and receiver 	
Muting sets for mounting to MST mounting stand		
L-01	MUT-SET-L-01 (L muting)	103006073
	<ul style="list-style-type: none"> • 2 muting cantilevers • 2 muting sensors/reflectors • 2 connection cables for muting sensors on the MCU-02 • Muting connection unit MCU-02 • Mounting material and connection cables for emitter and receiver 	
T-01	MUT-SET-T-01 (T muting)	103006075
	<ul style="list-style-type: none"> • 4 muting cantilevers • 4 muting sensors/reflectors • 4 connection cables for muting sensors on the MCU-02 • Muting connection unit MCU-02 • Mounting material and connection cables for emitter and receiver 	
T-04	MUT-SET-T-04 (X muting)	103012263
	<ul style="list-style-type: none"> • 4 muting cantilevers • 2 muting sensors/reflectors • 2 connection cables for muting sensors on the MCU-02 • Muting connection unit MCU-02 • Mounting material and connection cables for emitter and receiver 	



The SLC/SLG445 safety light curtains/light grids, the SG protective enclosure or the MST mounting stands are not included in the delivery.

1.4 Included in delivery and spare parts

Article	Description	Product photo	Ordering code	L muting	T muting	X muting
S100-PR	Muting sensor (MS), reflection light grid, dimensions 32x20x12 mm, M8, 4-pin		103040805	2	4	2
MS-ST-5039	Mounting bracket for S100-PR muting sensor		103055494	2	4	2
RD 83	Reflector, Ø 83 mm		101151760	2	4	2
MS-1200	Mounting bracket for RD 83 reflector		103012847	2	4	2
MS-MSL-01	Muting cantilever L-version: 2 aluminium profiles (20x20x400 mm), 2 angle connectors for MST mounting stand		103005653	1	2	2
MS-MSL	Muting cantilever L-version: 2 aluminium profiles (20x20x400 mm) attached to sensor profile		103005573	1	-	-
MS-MST	Muting cantilever T-version: 4 aluminium profiles (20x20x400 mm) attached to sensor profile		103005574	-	1	1
MS-MSL-SG	Muting cantilever L-version: 2 aluminium profiles (20x20x400 mm) attached to SG protective enclosure		103055510	1	-	-
MS-MST-SG	Muting cantilever T-version: 4 aluminium profiles (20x20x400 mm) attached to SG protective enclosure		103055512	-	1	1
MCU-02	Muting connection unit with connection cable for receiver M12, 12-pin, 1.5 m		103005572	1	1	1
KA-0905	Connection unit from MCU-02 to control cabinet, M12, 8-pin, 10 m		101207729	1	1	1
KA-0845	Connection cable for SLC/SLG445 emitter to MCU-02, M12, 4-pin, 5 m		101214875	1	1	1
KA-0846	Connection cable for muting sensor, coupling M8, connector M12, 4-pin, 2 m		103005657	1	2	2
KA-0847	Connection cable for muting sensor, coupling M8, connector M12, 4-pin, 5 m		103005658	1	2	-

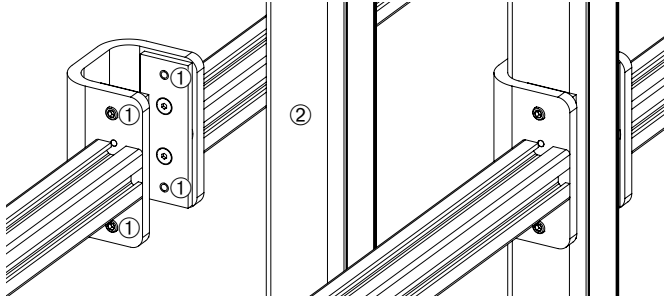
Article	Description	Product photo	Ordering code
SG	Protective enclosure, robust steel construction (110x110 mm), integrated spirit level for precise alignment, rear mounting groove for a wide range of mounting options, mounting with 3x M10x30 hexagon head screws (included) SG5 (1334 mm) SG6 (2134 mm)		103001594 103001596
MST	Mounting stands, aluminium profile sections (45x45 mm), foot (130x130 mm) MST-0500 (500 mm) MST-0750 (750 mm) MST-1000 (1000 mm) MST-1250 (1250 mm) MST-1500 (1500 mm) MST-1750 (1750 mm) MST-2000 (2000 mm)		101207797 101207798 101207799 101207800 101207801 101207802 101207803

2. Assembly



When mounting the muting sensors and reflectors, the requirements of EN IEC 62046 on presence detection of people must be observed.

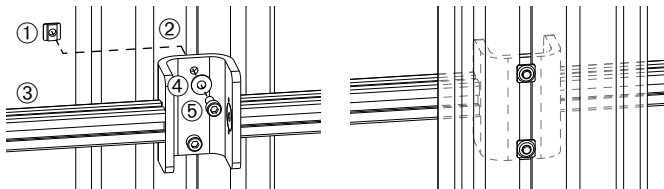
2.1 Attachment of muting cantilever to SLC/SLG445 sensor profile



Key

- ① U-profile with grub screws ② Sensor profile SLC/SLG445

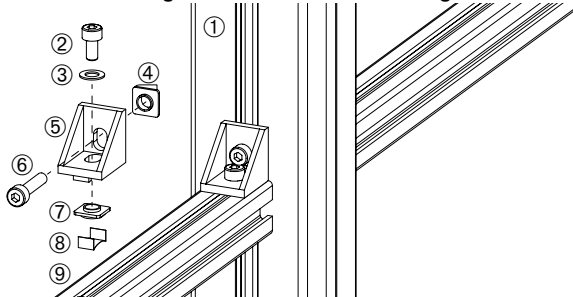
2.2 Attachment of muting cantilever to SG protective enclosure



Key

- ① T-slot nut M5 ④ Washer
 ② Protective enclosure SG ⑤ Fixing screw M5x16
 ③ Muting cantilevers

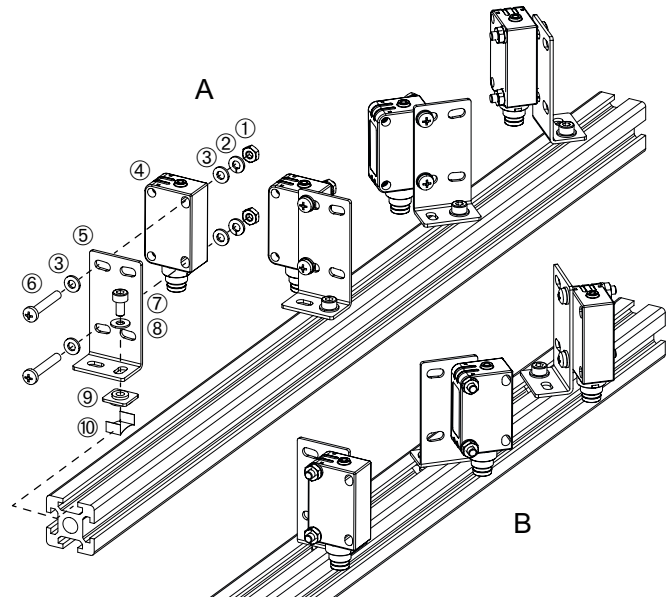
2.3 Attachment of muting cantilever to MST mounting stand



Key

- ① MST aluminium profile section ⑥ Fixing screw M5x16
 ② Fixing screw M5x8 ⑦ Threaded plate M5
 ③ Washer ⑧ Holding spring
 ④ Slide nut M5 ⑨ Muting cantilevers
 ⑤ Angle connector

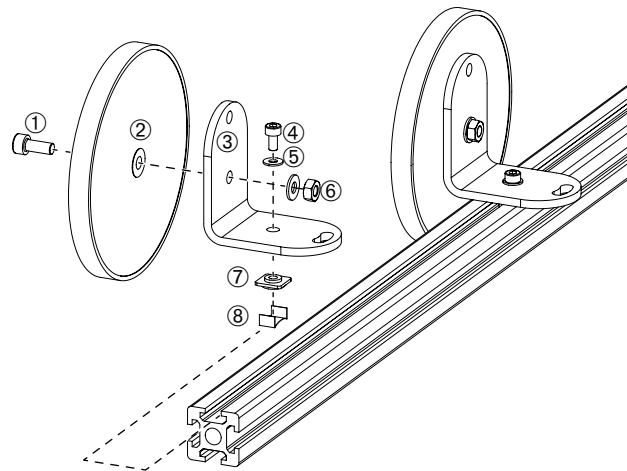
2.4 Attachment of muting sensors to muting cantilever



Key

- A Cable outlet in front of the profile B Cable outlet behind the profile
 ① Nut M3 ⑥ Fixing screw M3x18
 ② Spring washer ⑦ Fixing screw M3x6
 ③ Washer ⑧ Washer
 ④ Muting sensor ⑨ Threaded plate M3
 ⑤ Mounting bracket ⑩ Holding spring

2.5 Attachment of reflectors to muting cantilever



Key

- ① Fixing screw M4x10 ⑤ Washer
 ② Reflector ⑥ Nut M4
 ③ Mounting bracket ⑦ Threaded plate M3
 ④ Fixing screw M3x6 ⑧ Holding spring

K.A. Schmersal GmbH & Co. KG

Mödinghofe 30, 42279 Wuppertal
 Germany

Phone: +49 202 6474-0

Telefax: +49 202 6474-100

E-Mail: info@schmersal.com

Internet: www.schmersal.com

